

APPENDIX N

EXISTING TRAFFIC COUNT DATA – SCHOOL PEAK PERIOD

APPENDIX N-1

INTERSECTION COUNTS

City of San Juan Capistrano
 N/S: Camino Capistrano
 E/W: Ortega Highway
 Weather: Clear

File Name : 01_SJO_Cam Cap_74 TUES
 Site Code : 05721453
 Start Date : 9/14/2021
 Page No : 1

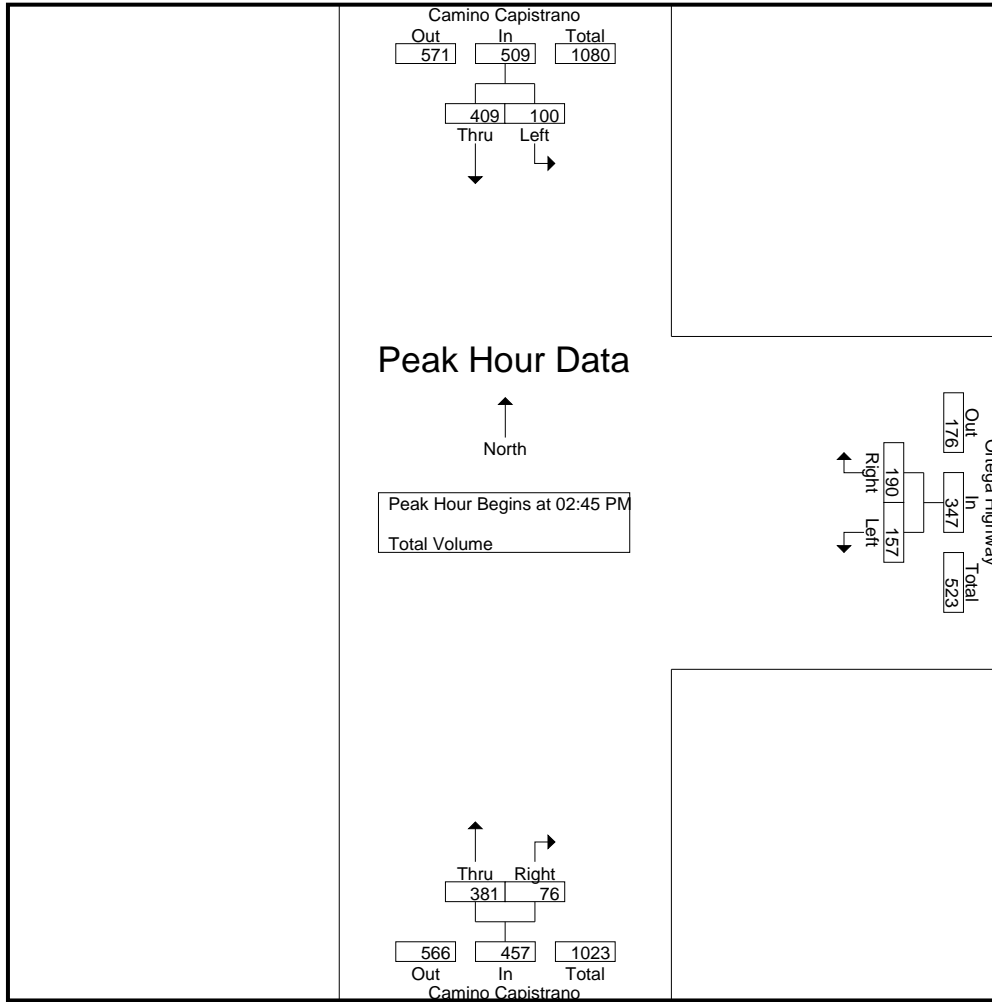
Groups Printed- Total Volume

Start Time	Camino Capistrano Southbound			Ortega Highway Westbound			Camino Capistrano Northbound			Int. Total
	Left	Thru	App. Total	Left	Right	App. Total	Thru	Right	App. Total	
01:30 PM	27	76	103	34	28	62	82	21	103	268
01:45 PM	27	69	96	23	21	44	73	33	106	246
Total	54	145	199	57	49	106	155	54	209	514
02:00 PM	25	66	91	22	25	47	75	41	116	254
02:15 PM	30	106	136	24	39	63	71	29	100	299
02:30 PM	32	69	101	16	45	61	84	18	102	264
02:45 PM	34	108	142	35	54	89	100	18	118	349
Total	121	349	470	97	163	260	330	106	436	1166
03:00 PM	27	121	148	39	48	87	82	20	102	337
03:15 PM	20	99	119	47	46	93	86	17	103	315
03:30 PM	19	81	100	36	42	78	113	21	134	312
03:45 PM	17	79	96	35	62	97	105	19	124	317
Total	83	380	463	157	198	355	386	77	463	1281
Grand Total	258	874	1132	311	410	721	871	237	1108	2961
Apprch %	22.8	77.2		43.1	56.9		78.6	21.4		
Total %	8.7	29.5	38.2	10.5	13.8	24.3	29.4	8	37.4	

Start Time	Camino Capistrano Southbound			Ortega Highway Westbound			Camino Capistrano Northbound			Int. Total
	Left	Thru	App. Total	Left	Right	App. Total	Thru	Right	App. Total	
02:45 PM	34	108	142	35	54	89	100	18	118	349
03:00 PM	27	121	148	39	48	87	82	20	102	337
03:15 PM	20	99	119	47	46	93	86	17	103	315
03:30 PM	19	81	100	36	42	78	113	21	134	312
Total Volume	100	409	509	157	190	347	381	76	457	1313
% App. Total	19.6	80.4		45.2	54.8		83.4	16.6		
PHF	.735	.845	.860	.835	.880	.933	.843	.905	.853	.941

Peak Hour Analysis From 01:30 PM to 03:45 PM - Peak 1 of 1

Peak Hour for Entire Intersection Begins at 02:45 PM



Peak Hour Analysis From 01:30 PM to 03:45 PM - Peak 1 of 1
 Peak Hour for Each Approach Begins at:

	02:15 PM			03:00 PM			03:00 PM		
+0 mins.	30	106	136	39	48	87	82	20	102
+15 mins.	32	69	101	47	46	93	86	17	103
+30 mins.	34	108	142	36	42	78	113	21	134
+45 mins.	27	121	148	35	62	97	105	19	124
Total Volume	123	404	527	157	198	355	386	77	463
% App. Total	23.3	76.7		44.2	55.8		83.4	16.6	
PHF	.904	.835	.890	.835	.798	.915	.854	.917	.864

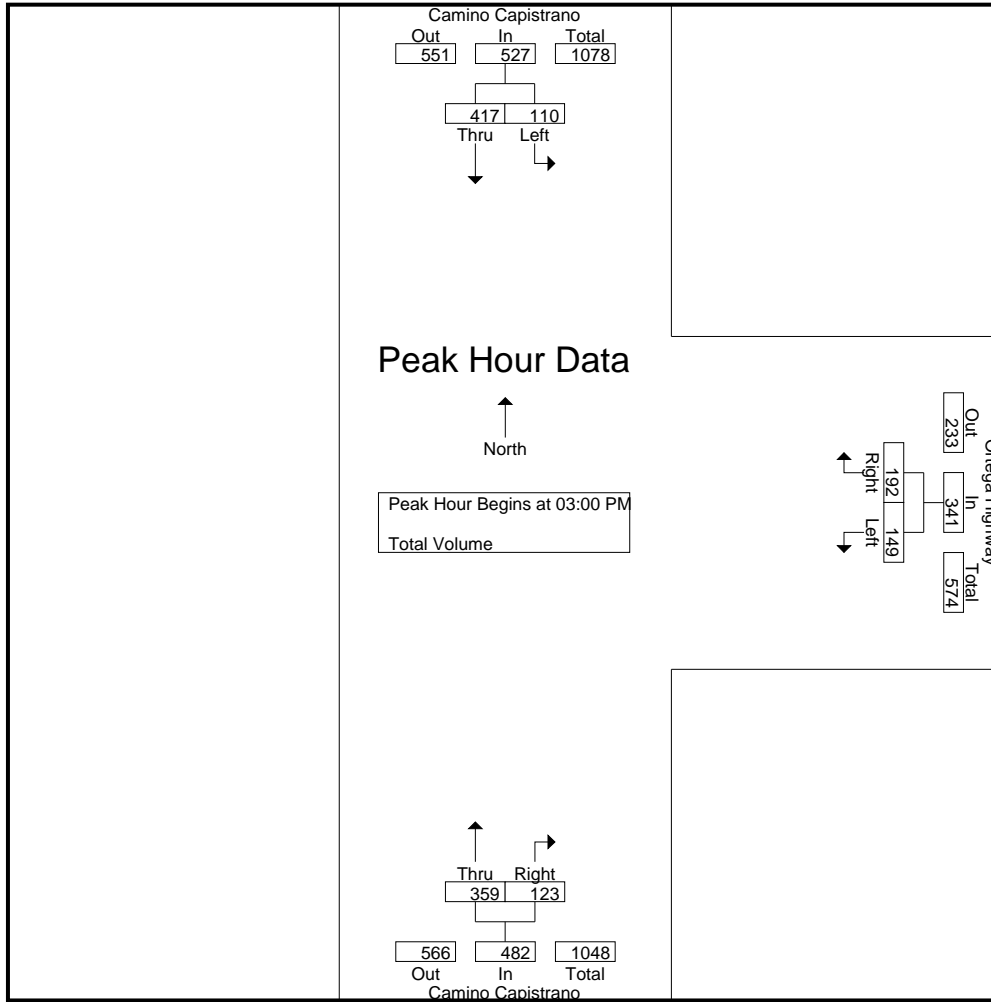
City of San Juan Capistrano
 N/S: Camino Capistrano
 E/W: Ortega Highway
 Weather: Clear

File Name : 01_SJO_Cam Cap_74 WED
 Site Code : 05721453
 Start Date : 9/15/2021
 Page No : 1

Groups Printed- Total Volume

Start Time	Camino Capistrano Southbound			Ortega Highway Westbound			Camino Capistrano Northbound			Int. Total
	Left	Thru	App. Total	Left	Right	App. Total	Thru	Right	App. Total	
01:30 PM	32	72	104	42	34	76	73	24	97	277
01:45 PM	26	66	92	31	31	62	68	27	95	249
Total	58	138	196	73	65	138	141	51	192	526
02:00 PM	19	77	96	33	45	78	74	38	112	286
02:15 PM	44	95	139	50	59	109	83	17	100	348
02:30 PM	15	74	89	26	47	73	91	28	119	281
02:45 PM	23	83	106	25	57	82	87	23	110	298
Total	101	329	430	134	208	342	335	106	441	1213
03:00 PM	27	120	147	28	49	77	85	27	112	336
03:15 PM	33	131	164	37	52	89	87	30	117	370
03:30 PM	27	91	118	39	51	90	85	38	123	331
03:45 PM	23	75	98	45	40	85	102	28	130	313
Total	110	417	527	149	192	341	359	123	482	1350
Grand Total	269	884	1153	356	465	821	835	280	1115	3089
Apprch %	23.3	76.7		43.4	56.6		74.9	25.1		
Total %	8.7	28.6	37.3	11.5	15.1	26.6	27	9.1	36.1	

Start Time	Camino Capistrano Southbound			Ortega Highway Westbound			Camino Capistrano Northbound			Int. Total
	Left	Thru	App. Total	Left	Right	App. Total	Thru	Right	App. Total	
Peak Hour Analysis From 01:30 PM to 03:45 PM - Peak 1 of 1										
Peak Hour for Entire Intersection Begins at 03:00 PM										
03:00 PM	27	120	147	28	49	77	85	27	112	336
03:15 PM	33	131	164	37	52	89	87	30	117	370
03:30 PM	27	91	118	39	51	90	85	38	123	331
03:45 PM	23	75	98	45	40	85	102	28	130	313
Total Volume	110	417	527	149	192	341	359	123	482	1350
% App. Total	20.9	79.1		43.7	56.3		74.5	25.5		
PHF	.833	.796	.803	.828	.923	.947	.880	.809	.927	.912



Peak Hour Analysis From 01:30 PM to 03:45 PM - Peak 1 of 1
 Peak Hour for Each Approach Begins at:

	02:45 PM			02:00 PM			03:00 PM		
+0 mins.	23	83	106	33	45	78	85	27	112
+15 mins.	27	120	147	50	59	109	87	30	117
+30 mins.	33	131	164	26	47	73	85	38	123
+45 mins.	27	91	118	25	57	82	102	28	130
Total Volume	110	425	535	134	208	342	359	123	482
% App. Total	20.6	79.4		39.2	60.8		74.5	25.5	
PHF	.833	.811	.816	.670	.881	.784	.880	.809	.927

City of San Juan Capistrano
 N/S: Camino Capistrano
 E/W: Ortega Highway
 Weather: Clear

File Name : 01_SJO_Cam Cap_74 THURS
 Site Code : 05721453
 Start Date : 9/16/2021
 Page No : 1

Groups Printed- Total Volume

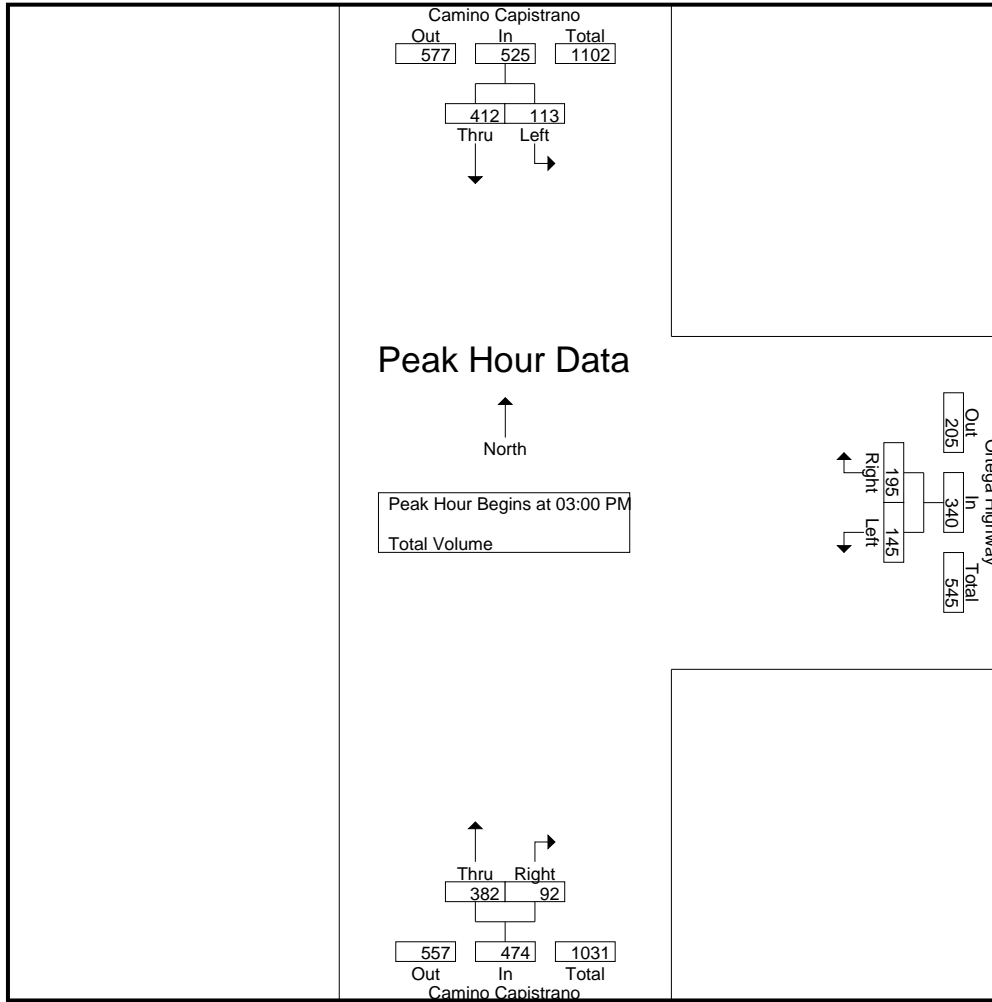
Start Time	Camino Capistrano Southbound			Ortega Highway Westbound			Camino Capistrano Northbound			Int. Total
	Left	Thru	App. Total	Left	Right	App. Total	Thru	Right	App. Total	
01:30 PM	31	61	92	31	32	63	85	17	102	257
01:45 PM	33	75	108	26	26	52	68	27	95	255
Total	64	136	200	57	58	115	153	44	197	512
02:00 PM	30	77	107	39	44	83	64	25	89	279
02:15 PM	37	106	143	40	59	99	85	19	104	346
02:30 PM	33	81	114	36	46	82	86	26	112	308
02:45 PM	31	81	112	26	54	80	90	13	103	295
Total	131	345	476	141	203	344	325	83	408	1228
03:00 PM	37	106	143	41	37	78	76	33	109	330
03:15 PM	39	121	160	35	58	93	81	16	97	350
03:30 PM	24	94	118	24	53	77	116	25	141	336
03:45 PM	13	91	104	45	47	92	109	18	127	323
Total	113	412	525	145	195	340	382	92	474	1339
Grand Total	308	893	1201	343	456	799	860	219	1079	3079
Apprch %	25.6	74.4		42.9	57.1		79.7	20.3		
Total %	10	29	39	11.1	14.8	25.9	27.9	7.1	35	

Start Time	Camino Capistrano Southbound			Ortega Highway Westbound			Camino Capistrano Northbound			Int. Total
	Left	Thru	App. Total	Left	Right	App. Total	Thru	Right	App. Total	
03:00 PM	37	106	143	41	37	78	76	33	109	330
03:15 PM	39	121	160	35	58	93	81	16	97	350
03:30 PM	24	94	118	24	53	77	116	25	141	336
03:45 PM	13	91	104	45	47	92	109	18	127	323
Total Volume	113	412	525	145	195	340	382	92	474	1339
% App. Total	21.5	78.5		42.6	57.4		80.6	19.4		
PHF	.724	.851	.820	.806	.841	.914	.823	.697	.840	.956

Peak Hour Analysis From 01:30 PM to 03:45 PM - Peak 1 of 1
 Peak Hour for Entire Intersection Begins at 03:00 PM

City of San Juan Capistrano
 N/S: Camino Capistrano
 E/W: Ortega Highway
 Weather: Clear

File Name : 01_SJO_Cam Cap_74 THURS
 Site Code : 05721453
 Start Date : 9/16/2021
 Page No : 2



Peak Hour Analysis From 01:30 PM to 03:45 PM - Peak 1 of 1
 Peak Hour for Each Approach Begins at:

	02:45 PM			02:00 PM			03:00 PM		
+0 mins.	31	81	112	39	44	83	76	33	109
+15 mins.	37	106	143	40	59	99	81	16	97
+30 mins.	39	121	160	36	46	82	116	25	141
+45 mins.	24	94	118	26	54	80	109	18	127
Total Volume	131	402	533	141	203	344	382	92	474
% App. Total	24.6	75.4		41	59		80.6	19.4	
PHF	.840	.831	.833	.881	.860	.869	.823	.697	.840

City of San Juan Capistrano
 N/S: El Camino Real
 E/W: Ortega Highway
 Weather: Clear

File Name : 02_SJO_El Cam_74 TUES
 Site Code : 05721453
 Start Date : 9/14/2021
 Page No : 1

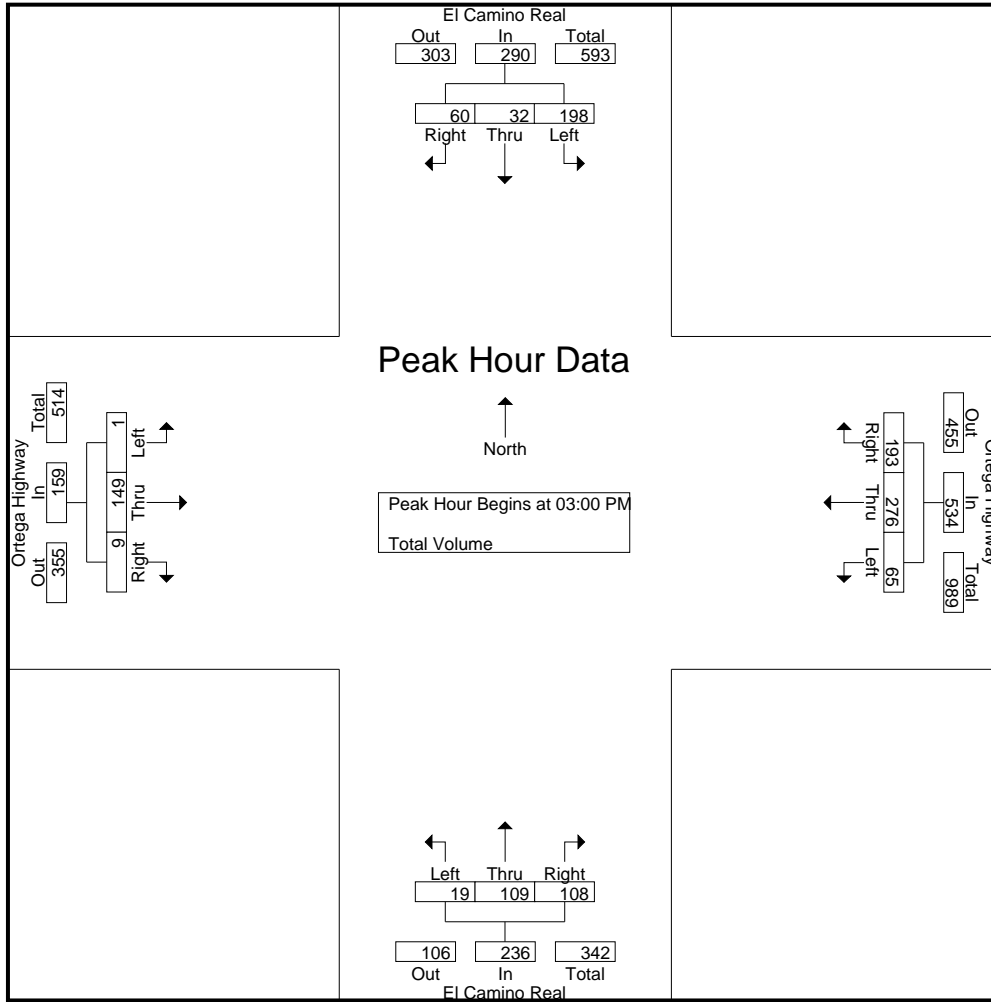
Groups Printed- Total Volume

Start Time	El Camino Real Southbound				Ortega Highway Westbound				El Camino Real Northbound				Ortega Highway Eastbound				Int. Total
	Left	Thru	Right	App. Total	Left	Thru	Right	App. Total	Left	Thru	Right	App. Total	Left	Thru	Right	App. Total	
01:30 PM	35	2	6	43	11	50	30	91	4	12	24	40	3	41	6	50	224
01:45 PM	29	6	7	42	18	32	27	77	4	18	35	57	2	55	2	59	235
Total	64	8	13	85	29	82	57	168	8	30	59	97	5	96	8	109	459
02:00 PM	19	6	4	29	9	43	30	82	4	4	21	29	0	60	5	65	205
02:15 PM	24	4	7	35	8	52	36	96	3	14	27	44	1	56	4	61	236
02:30 PM	28	2	5	35	12	47	44	103	6	24	26	56	4	44	2	50	244
02:45 PM	39	6	7	52	9	76	68	153	3	18	25	46	1	43	8	52	303
Total	110	18	23	151	38	218	178	434	16	60	99	175	6	203	19	228	988
03:00 PM	78	13	21	112	14	63	36	113	0	6	20	26	0	47	1	48	299
03:15 PM	41	5	19	65	11	69	45	125	5	26	33	64	0	32	4	36	290
03:30 PM	19	5	10	34	18	64	34	116	7	33	28	68	0	38	1	39	257
03:45 PM	60	9	10	79	22	80	78	180	7	44	27	78	1	32	3	36	373
Total	198	32	60	290	65	276	193	534	19	109	108	236	1	149	9	159	1219
Grand Total	372	58	96	526	132	576	428	1136	43	199	266	508	12	448	36	496	2666
Apprch %	70.7	11	18.3		11.6	50.7	37.7		8.5	39.2	52.4		2.4	90.3	7.3		
Total %	14	2.2	3.6	19.7	5	21.6	16.1	42.6	1.6	7.5	10	19.1	0.5	16.8	1.4	18.6	

Start Time	El Camino Real Southbound				Ortega Highway Westbound				El Camino Real Northbound				Ortega Highway Eastbound				Int. Total
	Left	Thru	Right	App. Total	Left	Thru	Right	App. Total	Left	Thru	Right	App. Total	Left	Thru	Right	App. Total	
Peak Hour Analysis From 01:30 PM to 03:45 PM - Peak 1 of 1																	
Peak Hour for Entire Intersection Begins at 03:00 PM																	
03:00 PM	78	13	21	112	14	63	36	113	0	6	20	26	0	47	1	48	299
03:15 PM	41	5	19	65	11	69	45	125	5	26	33	64	0	32	4	36	290
03:30 PM	19	5	10	34	18	64	34	116	7	33	28	68	0	38	1	39	257
03:45 PM	60	9	10	79	22	80	78	180	7	44	27	78	1	32	3	36	373
Total Volume	198	32	60	290	65	276	193	534	19	109	108	236	1	149	9	159	1219
% App. Total	68.3	11	20.7		12.2	51.7	36.1		8.1	46.2	45.8		0.6	93.7	5.7		
PHF	.635	.615	.714	.647	.739	.863	.619	.742	.679	.619	.818	.756	.250	.793	.563	.828	.817

City of San Juan Capistrano
 N/S: El Camino Real
 E/W: Ortega Highway
 Weather: Clear

File Name : 02_SJO_El Cam_74 TUES
 Site Code : 05721453
 Start Date : 9/14/2021
 Page No : 2



Peak Hour Analysis From 01:30 PM to 03:45 PM - Peak 1 of 1
 Peak Hour for Each Approach Begins at:

	03:00 PM				03:00 PM				03:00 PM				01:30 PM			
+0 mins.	78	13	21	112	14	63	36	113	0	6	20	26	3	41	6	50
+15 mins.	41	5	19	65	11	69	45	125	5	26	33	64	2	55	2	59
+30 mins.	19	5	10	34	18	64	34	116	7	33	28	68	0	60	5	65
+45 mins.	60	9	10	79	22	80	78	180	7	44	27	78	1	56	4	61
Total Volume	198	32	60	290	65	276	193	534	19	109	108	236	6	212	17	235
% App. Total	68.3	11	20.7		12.2	51.7	36.1		8.1	46.2	45.8		2.6	90.2	7.2	
PHF	.635	.615	.714	.647	.739	.863	.619	.742	.679	.619	.818	.756	.500	.883	.708	.904

City of San Juan Capistrano
 N/S: El Camino Real
 E/W: Ortega Highway
 Weather: Clear

File Name : 02_SJO_El Cam_74 WED
 Site Code : 05721453
 Start Date : 9/15/2021
 Page No : 1

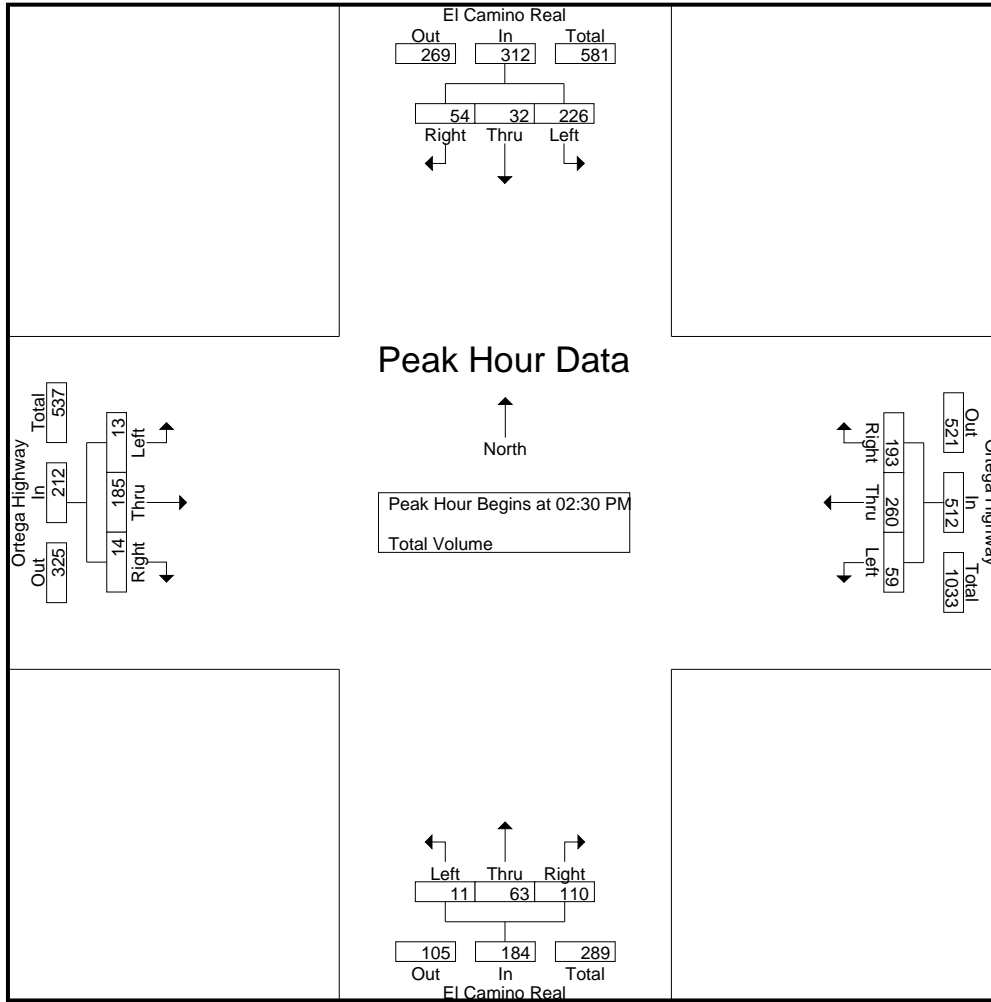
Groups Printed- Total Volume

Start Time	El Camino Real Southbound				Ortega Highway Westbound				El Camino Real Northbound				Ortega Highway Eastbound				Int. Total
	Left	Thru	Right	App. Total	Left	Thru	Right	App. Total	Left	Thru	Right	App. Total	Left	Thru	Right	App. Total	
01:30 PM	45	11	12	68	23	52	48	123	10	24	24	58	0	50	7	57	306
01:45 PM	32	6	8	46	30	52	55	137	5	16	30	51	4	46	4	54	288
Total	77	17	20	114	53	104	103	260	15	40	54	109	4	96	11	111	594
02:00 PM	40	8	20	68	25	53	39	117	5	23	35	63	0	52	8	60	308
02:15 PM	36	5	16	57	21	79	33	133	7	15	47	69	1	54	1	56	315
02:30 PM	48	7	6	61	13	64	45	122	4	17	23	44	1	41	5	47	274
02:45 PM	43	4	9	56	14	74	76	164	3	21	26	50	5	41	1	47	317
Total	167	24	51	242	73	270	193	536	19	76	131	226	7	188	15	210	1214
03:00 PM	79	11	21	111	11	55	36	102	2	15	28	45	3	48	2	53	311
03:15 PM	56	10	18	84	21	67	36	124	2	10	33	45	4	55	6	65	318
03:30 PM	31	4	7	42	16	72	29	117	12	2	22	36	4	55	2	61	256
03:45 PM	24	3	4	31	29	76	53	158	15	7	18	40	3	48	4	55	284
Total	190	28	50	268	77	270	154	501	31	34	101	166	14	206	14	234	1169
Grand Total	434	69	121	624	203	644	450	1297	65	150	286	501	25	490	40	555	2977
Apprch %	69.6	11.1	19.4		15.7	49.7	34.7		13	29.9	57.1		4.5	88.3	7.2		
Total %	14.6	2.3	4.1	21	6.8	21.6	15.1	43.6	2.2	5	9.6	16.8	0.8	16.5	1.3	18.6	

Start Time	El Camino Real Southbound				Ortega Highway Westbound				El Camino Real Northbound				Ortega Highway Eastbound				Int. Total
	Left	Thru	Right	App. Total	Left	Thru	Right	App. Total	Left	Thru	Right	App. Total	Left	Thru	Right	App. Total	
Peak Hour Analysis From 01:30 PM to 03:45 PM - Peak 1 of 1																	
Peak Hour for Entire Intersection Begins at 02:30 PM																	
02:30 PM	48	7	6	61	13	64	45	122	4	17	23	44	1	41	5	47	274
02:45 PM	43	4	9	56	14	74	76	164	3	21	26	50	5	41	1	47	317
03:00 PM	79	11	21	111	11	55	36	102	2	15	28	45	3	48	2	53	311
03:15 PM	56	10	18	84	21	67	36	124	2	10	33	45	4	55	6	65	318
Total Volume	226	32	54	312	59	260	193	512	11	63	110	184	13	185	14	212	1220
% App. Total	72.4	10.3	17.3		11.5	50.8	37.7		6	34.2	59.8		6.1	87.3	6.6		
PHF	.715	.727	.643	.703	.702	.878	.635	.780	.688	.750	.833	.920	.650	.841	.583	.815	.959

City of San Juan Capistrano
 N/S: El Camino Real
 E/W: Ortega Highway
 Weather: Clear

File Name : 02_SJO_El Cam_74 WED
 Site Code : 05721453
 Start Date : 9/15/2021
 Page No : 2



Peak Hour Analysis From 01:30 PM to 03:45 PM - Peak 1 of 1
 Peak Hour for Each Approach Begins at:

	02:30 PM				02:00 PM				01:30 PM				03:00 PM			
+0 mins.	48	7	6	61	25	53	39	117	10	24	24	58	3	48	2	53
+15 mins.	43	4	9	56	21	79	33	133	5	16	30	51	4	55	6	65
+30 mins.	79	11	21	111	13	64	45	122	5	23	35	63	4	55	2	61
+45 mins.	56	10	18	84	14	74	76	164	7	15	47	69	3	48	4	55
Total Volume	226	32	54	312	73	270	193	536	27	78	136	241	14	206	14	234
% App. Total	72.4	10.3	17.3		13.6	50.4	36		11.2	32.4	56.4		6	88	6	
PHF	.715	.727	.643	.703	.730	.854	.635	.817	.675	.813	.723	.873	.875	.936	.583	.900

City of San Juan Capistrano
 N/S: El Camino Real
 E/W: Ortega Highway
 Weather: Clear

File Name : 02_SJO_EI Cam_74 THURS
 Site Code : 05721453
 Start Date : 9/16/2021
 Page No : 1

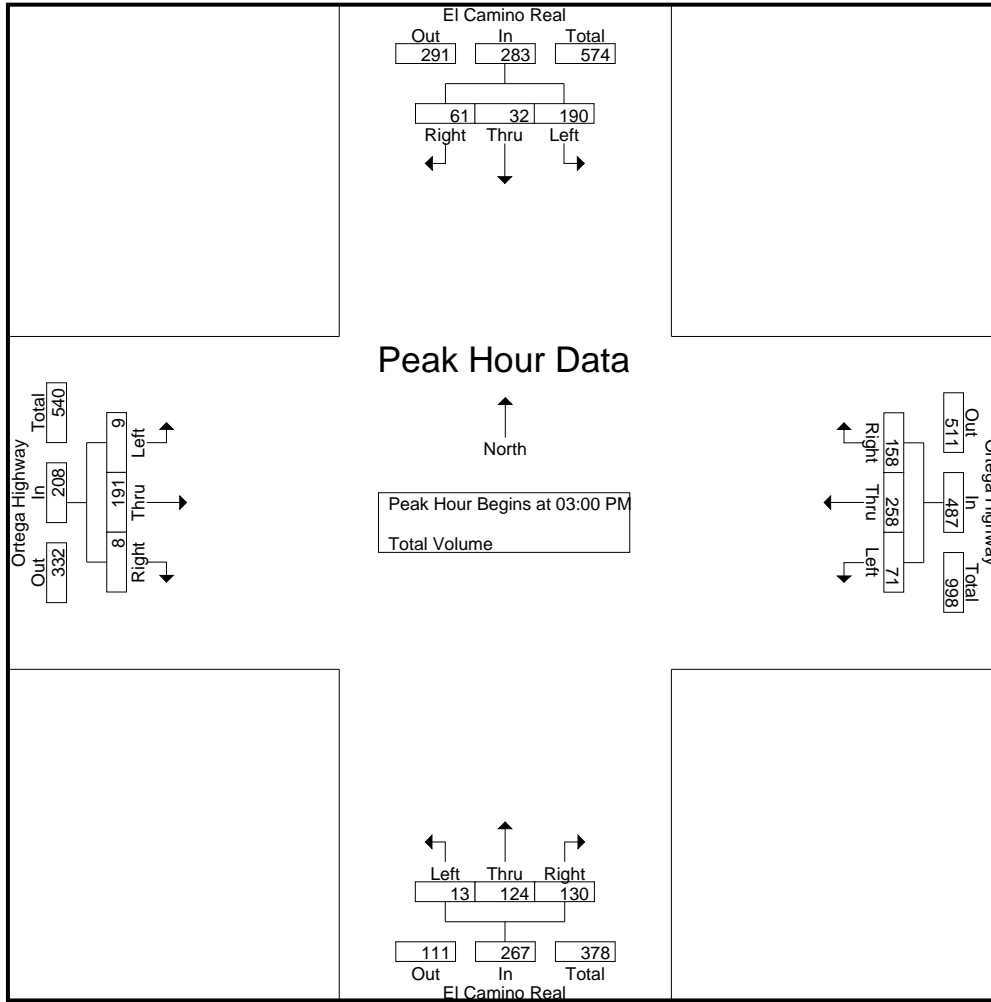
Groups Printed- Total Volume

Start Time	El Camino Real Southbound				Ortega Highway Westbound				El Camino Real Northbound				Ortega Highway Eastbound				Int. Total
	Left	Thru	Right	App. Total	Left	Thru	Right	App. Total	Left	Thru	Right	App. Total	Left	Thru	Right	App. Total	
01:30 PM	38	6	7	51	16	50	38	104	6	16	29	51	5	40	4	49	255
01:45 PM	25	10	6	41	27	43	66	136	4	15	39	58	2	48	2	52	287
Total	63	16	13	92	43	93	104	240	10	31	68	109	7	88	6	101	542
02:00 PM	41	13	20	74	17	56	29	102	6	11	39	56	2	44	9	55	287
02:15 PM	51	16	18	85	16	83	36	135	8	26	40	74	1	51	6	58	352
02:30 PM	30	5	6	41	9	62	38	109	2	21	28	51	2	56	4	62	263
02:45 PM	22	2	1	25	17	69	65	151	6	27	24	57	2	40	2	44	277
Total	144	36	45	225	59	270	168	497	22	85	131	238	7	191	21	219	1179
03:00 PM	60	8	20	88	15	58	37	110	2	13	29	44	4	63	3	70	312
03:15 PM	41	10	27	78	15	62	44	121	1	23	34	58	1	51	3	55	312
03:30 PM	32	5	1	38	17	71	43	131	3	34	35	72	4	47	0	51	292
03:45 PM	57	9	13	79	24	67	34	125	7	54	32	93	0	30	2	32	329
Total	190	32	61	283	71	258	158	487	13	124	130	267	9	191	8	208	1245
Grand Total	397	84	119	600	173	621	430	1224	45	240	329	614	23	470	35	528	2966
Apprch %	66.2	14	19.8		14.1	50.7	35.1		7.3	39.1	53.6		4.4	89	6.6		
Total %	13.4	2.8	4	20.2	5.8	20.9	14.5	41.3	1.5	8.1	11.1	20.7	0.8	15.8	1.2	17.8	

Start Time	El Camino Real Southbound				Ortega Highway Westbound				El Camino Real Northbound				Ortega Highway Eastbound				Int. Total
	Left	Thru	Right	App. Total	Left	Thru	Right	App. Total	Left	Thru	Right	App. Total	Left	Thru	Right	App. Total	
Peak Hour Analysis From 01:30 PM to 03:45 PM - Peak 1 of 1																	
Peak Hour for Entire Intersection Begins at 03:00 PM																	
03:00 PM	60	8	20	88	15	58	37	110	2	13	29	44	4	63	3	70	312
03:15 PM	41	10	27	78	15	62	44	121	1	23	34	58	1	51	3	55	312
03:30 PM	32	5	1	38	17	71	43	131	3	34	35	72	4	47	0	51	292
03:45 PM	57	9	13	79	24	67	34	125	7	54	32	93	0	30	2	32	329
Total Volume	190	32	61	283	71	258	158	487	13	124	130	267	9	191	8	208	1245
% App. Total	67.1	11.3	21.6		14.6	53	32.4		4.9	46.4	48.7		4.3	91.8	3.8		
PHF	.792	.800	.565	.804	.740	.908	.898	.929	.464	.574	.929	.718	.563	.758	.667	.743	.946

City of San Juan Capistrano
 N/S: El Camino Real
 E/W: Ortega Highway
 Weather: Clear

File Name : 02_SJO_EI Cam_74 THURS
 Site Code : 05721453
 Start Date : 9/16/2021
 Page No : 2



Peak Hour Analysis From 01:30 PM to 03:45 PM - Peak 1 of 1
 Peak Hour for Each Approach Begins at:

	03:00 PM				02:45 PM				03:00 PM				02:15 PM			
+0 mins.	60	8	20	88	17	69	65	151	2	13	29	44	1	51	6	58
+15 mins.	41	10	27	78	15	58	37	110	1	23	34	58	2	56	4	62
+30 mins.	32	5	1	38	15	62	44	121	3	34	35	72	2	40	2	44
+45 mins.	57	9	13	79	17	71	43	131	7	54	32	93	4	63	3	70
Total Volume	190	32	61	283	64	260	189	513	13	124	130	267	9	210	15	234
% App. Total	67.1	11.3	21.6		12.5	50.7	36.8		4.9	46.4	48.7		3.8	89.7	6.4	
PHF	.792	.800	.565	.804	.941	.915	.727	.849	.464	.574	.929	.718	.563	.833	.625	.836

City of San Juan Capistrano
 N/S: Ortega Highway/Del Obispo Street
 E/W: Ortega Highway
 Weather: Clear

File Name : 03_SJO_Del Ob_74 TUES
 Site Code : 05721453
 Start Date : 9/14/2021
 Page No : 1

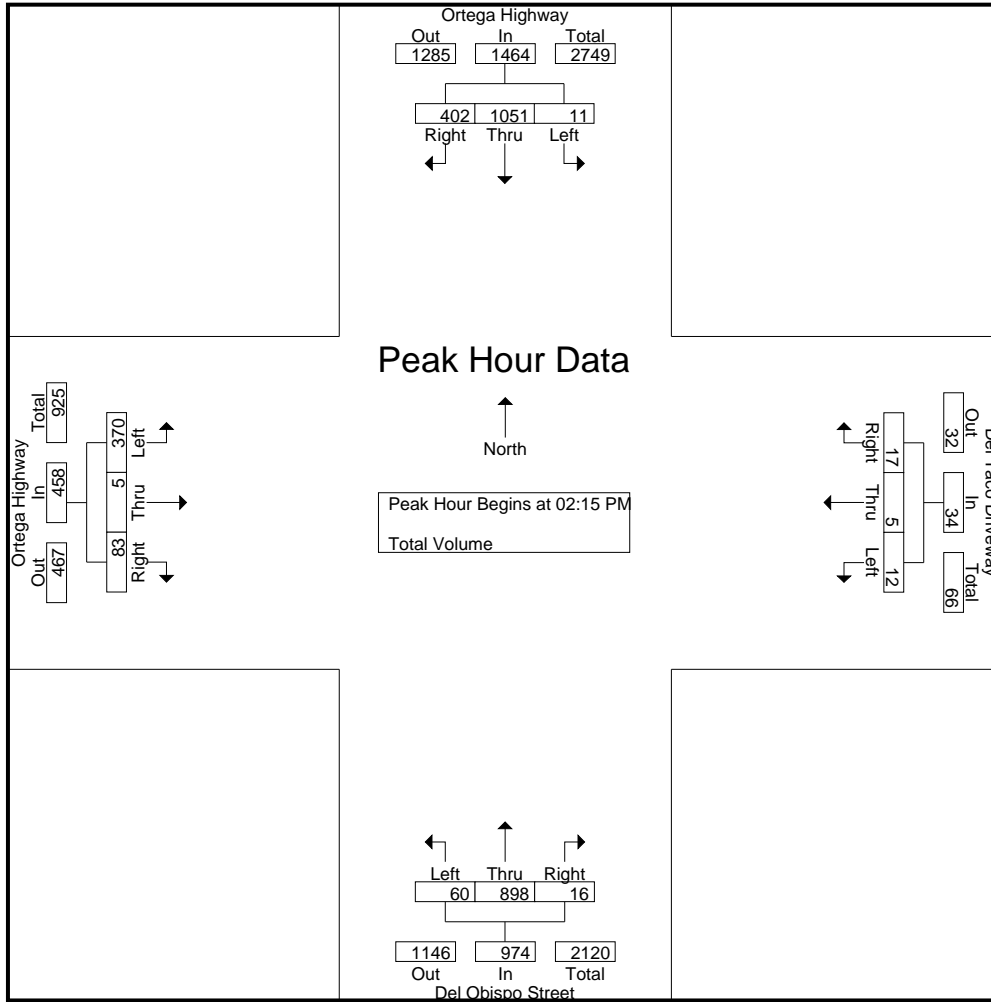
Groups Printed- Total Volume

Start Time	Ortega Highway Southbound				Del Taco Driveway Westbound				Del Obispo Street Northbound				Ortega Highway Eastbound				Int. Total
	Left	Thru	Right	App. Total	Left	Thru	Right	App. Total	Left	Thru	Right	App. Total	Left	Thru	Right	App. Total	
01:30 PM	9	228	69	306	2	4	15	21	18	187	8	213	82	1	20	103	643
01:45 PM	6	236	61	303	6	0	15	21	15	227	5	247	79	4	27	110	681
Total	15	464	130	609	8	4	30	42	33	414	13	460	161	5	47	213	1324
02:00 PM	1	233	67	301	5	1	9	15	15	230	4	249	88	4	17	109	674
02:15 PM	1	257	82	340	4	2	7	13	14	216	4	234	84	1	19	104	691
02:30 PM	2	248	93	343	3	1	2	6	15	240	2	257	89	2	19	110	716
02:45 PM	2	280	128	410	2	2	3	7	20	252	8	280	95	1	17	113	810
Total	6	1018	370	1394	14	6	21	41	64	938	18	1020	356	8	72	436	2891
03:00 PM	6	266	99	371	3	0	5	8	11	190	2	203	102	1	28	131	713
03:15 PM	14	293	105	412	4	0	4	8	10	112	1	123	95	1	21	117	660
03:30 PM	6	279	101	386	3	1	5	9	18	189	3	210	65	0	18	83	688
03:45 PM	5	283	140	428	3	1	2	6	38	255	3	296	85	1	19	105	835
Total	31	1121	445	1597	13	2	16	31	77	746	9	832	347	3	86	436	2896
Grand Total	52	2603	945	3600	35	12	67	114	174	2098	40	2312	864	16	205	1085	7111
Apprch %	1.4	72.3	26.2		30.7	10.5	58.8		7.5	90.7	1.7		79.6	1.5	18.9		
Total %	0.7	36.6	13.3	50.6	0.5	0.2	0.9	1.6	2.4	29.5	0.6	32.5	12.2	0.2	2.9	15.3	

Start Time	Ortega Highway Southbound				Del Taco Driveway Westbound				Del Obispo Street Northbound				Ortega Highway Eastbound				Int. Total
	Left	Thru	Right	App. Total	Left	Thru	Right	App. Total	Left	Thru	Right	App. Total	Left	Thru	Right	App. Total	
Peak Hour Analysis From 01:30 PM to 03:45 PM - Peak 1 of 1																	
Peak Hour for Entire Intersection Begins at 02:15 PM																	
02:15 PM	1	257	82	340	4	2	7	13	14	216	4	234	84	1	19	104	691
02:30 PM	2	248	93	343	3	1	2	6	15	240	2	257	89	2	19	110	716
02:45 PM	2	280	128	410	2	2	3	7	20	252	8	280	95	1	17	113	810
03:00 PM	6	266	99	371	3	0	5	8	11	190	2	203	102	1	28	131	713
Total Volume	11	1051	402	1464	12	5	17	34	60	898	16	974	370	5	83	458	2930
% App. Total	0.8	71.8	27.5		35.3	14.7	50		6.2	92.2	1.6		80.8	1.1	18.1		
PHF	.458	.938	.785	.893	.750	.625	.607	.654	.750	.891	.500	.870	.907	.625	.741	.874	.904

City of San Juan Capistrano
 N/S: Ortega Highway/Del Obispo Street
 E/W: Ortega Highway
 Weather: Clear

File Name : 03_SJO_Del Ob_74 TUES
 Site Code : 05721453
 Start Date : 9/14/2021
 Page No : 2



Peak Hour Analysis From 01:30 PM to 03:45 PM - Peak 1 of 1
 Peak Hour for Each Approach Begins at:

	03:00 PM				01:30 PM				02:00 PM				02:30 PM			
+0 mins.	6	266	99	371	2	4	15	21	15	230	4	249	89	2	19	110
+15 mins.	14	293	105	412	6	0	15	21	14	216	4	234	95	1	17	113
+30 mins.	6	279	101	386	5	1	9	15	15	240	2	257	102	1	28	131
+45 mins.	5	283	140	428	4	2	7	13	20	252	8	280	95	1	21	117
Total Volume	31	1121	445	1597	17	7	46	70	64	938	18	1020	381	5	85	471
% App. Total	1.9	70.2	27.9		24.3	10	65.7		6.3	92	1.8		80.9	1.1	18	
PHF	.554	.956	.795	.933	.708	.438	.767	.833	.800	.931	.563	.911	.934	.625	.759	.899

City of San Juan Capistrano
 N/S: Ortega Highway/Del Obispo Street
 E/W: Ortega Highway
 Weather: Clear

File Name : 03_SJO_Del Ob_74 WED
 Site Code : 05721453
 Start Date : 9/15/2021
 Page No : 1

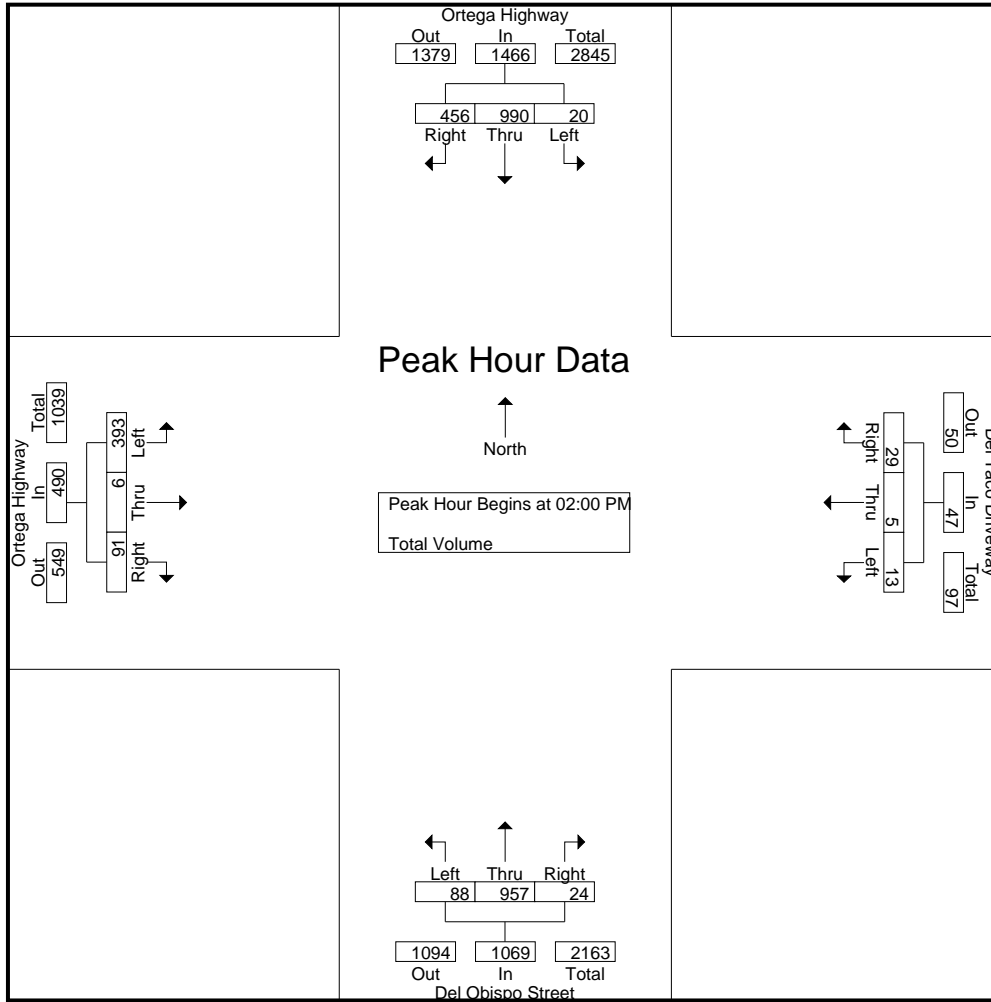
Groups Printed- Total Volume

Start Time	Ortega Highway Southbound				Del Taco Driveway Westbound				Del Obispo Street Northbound				Ortega Highway Eastbound				Int. Total
	Left	Thru	Right	App. Total	Left	Thru	Right	App. Total	Left	Thru	Right	App. Total	Left	Thru	Right	App. Total	
01:30 PM	15	238	104	357	4	2	12	18	14	180	4	198	106	1	16	123	696
01:45 PM	4	265	114	383	1	1	13	15	24	196	3	223	74	0	26	100	721
Total	19	503	218	740	5	3	25	33	38	376	7	421	180	1	42	223	1417
02:00 PM	9	230	105	344	4	2	8	14	27	224	3	254	96	2	28	126	738
02:15 PM	8	274	107	389	4	2	3	9	21	228	8	257	111	1	26	138	793
02:30 PM	2	250	107	359	2	1	9	12	16	255	8	279	97	2	19	118	768
02:45 PM	1	236	137	374	3	0	9	12	24	250	5	279	89	1	18	108	773
Total	20	990	456	1466	13	5	29	47	88	957	24	1069	393	6	91	490	3072
03:00 PM	4	247	87	338	2	1	5	8	14	181	0	195	128	1	21	150	691
03:15 PM	25	281	112	418	3	0	2	5	9	50	2	61	104	3	47	154	638
03:30 PM	12	287	105	404	2	2	8	12	20	143	3	166	89	3	15	107	689
03:45 PM	3	267	111	381	3	4	2	9	36	241	3	280	66	2	24	92	762
Total	44	1082	415	1541	10	7	17	34	79	615	8	702	387	9	107	503	2780
Grand Total	83	2575	1089	3747	28	15	71	114	205	1948	39	2192	960	16	240	1216	7269
Apprch %	2.2	68.7	29.1		24.6	13.2	62.3		9.4	88.9	1.8		78.9	1.3	19.7		
Total %	1.1	35.4	15	51.5	0.4	0.2	1	1.6	2.8	26.8	0.5	30.2	13.2	0.2	3.3	16.7	

Start Time	Ortega Highway Southbound				Del Taco Driveway Westbound				Del Obispo Street Northbound				Ortega Highway Eastbound				Int. Total
	Left	Thru	Right	App. Total	Left	Thru	Right	App. Total	Left	Thru	Right	App. Total	Left	Thru	Right	App. Total	
Peak Hour Analysis From 01:30 PM to 03:45 PM - Peak 1 of 1																	
Peak Hour for Entire Intersection Begins at 02:00 PM																	
02:00 PM	9	230	105	344	4	2	8	14	27	224	3	254	96	2	28	126	738
02:15 PM	8	274	107	389	4	2	3	9	21	228	8	257	111	1	26	138	793
02:30 PM	2	250	107	359	2	1	9	12	16	255	8	279	97	2	19	118	768
02:45 PM	1	236	137	374	3	0	9	12	24	250	5	279	89	1	18	108	773
Total Volume	20	990	456	1466	13	5	29	47	88	957	24	1069	393	6	91	490	3072
% App. Total	1.4	67.5	31.1		27.7	10.6	61.7		8.2	89.5	2.2		80.2	1.2	18.6		
PHF	.556	.903	.832	.942	.813	.625	.806	.839	.815	.938	.750	.958	.885	.750	.813	.888	.968

City of San Juan Capistrano
 N/S: Ortega Highway/Del Obispo Street
 E/W: Ortega Highway
 Weather: Clear

File Name : 03_SJO_Del Ob_74 WED
 Site Code : 05721453
 Start Date : 9/15/2021
 Page No : 2



Peak Hour Analysis From 01:30 PM to 03:45 PM - Peak 1 of 1
 Peak Hour for Each Approach Begins at:

	03:00 PM				01:30 PM				02:00 PM				02:30 PM			
+0 mins.	4	247	87	338	4	2	12	18	27	224	3	254	97	2	19	118
+15 mins.	25	281	112	418	1	1	13	15	21	228	8	257	89	1	18	108
+30 mins.	12	287	105	404	4	2	8	14	16	255	8	279	128	1	21	150
+45 mins.	3	267	111	381	4	2	3	9	24	250	5	279	104	3	47	154
Total Volume	44	1082	415	1541	13	7	36	56	88	957	24	1069	418	7	105	530
% App. Total	2.9	70.2	26.9		23.2	12.5	64.3		8.2	89.5	2.2		78.9	1.3	19.8	
PHF	.440	.943	.926	.922	.813	.875	.692	.778	.815	.938	.750	.958	.816	.583	.559	.860

City of San Juan Capistrano
 N/S: Ortega Highway/Del Obispo Street
 E/W: Ortega Highway
 Weather: Clear

File Name : 03_SJO_Del Ob_74 THURS
 Site Code : 05721453
 Start Date : 9/16/2021
 Page No : 1

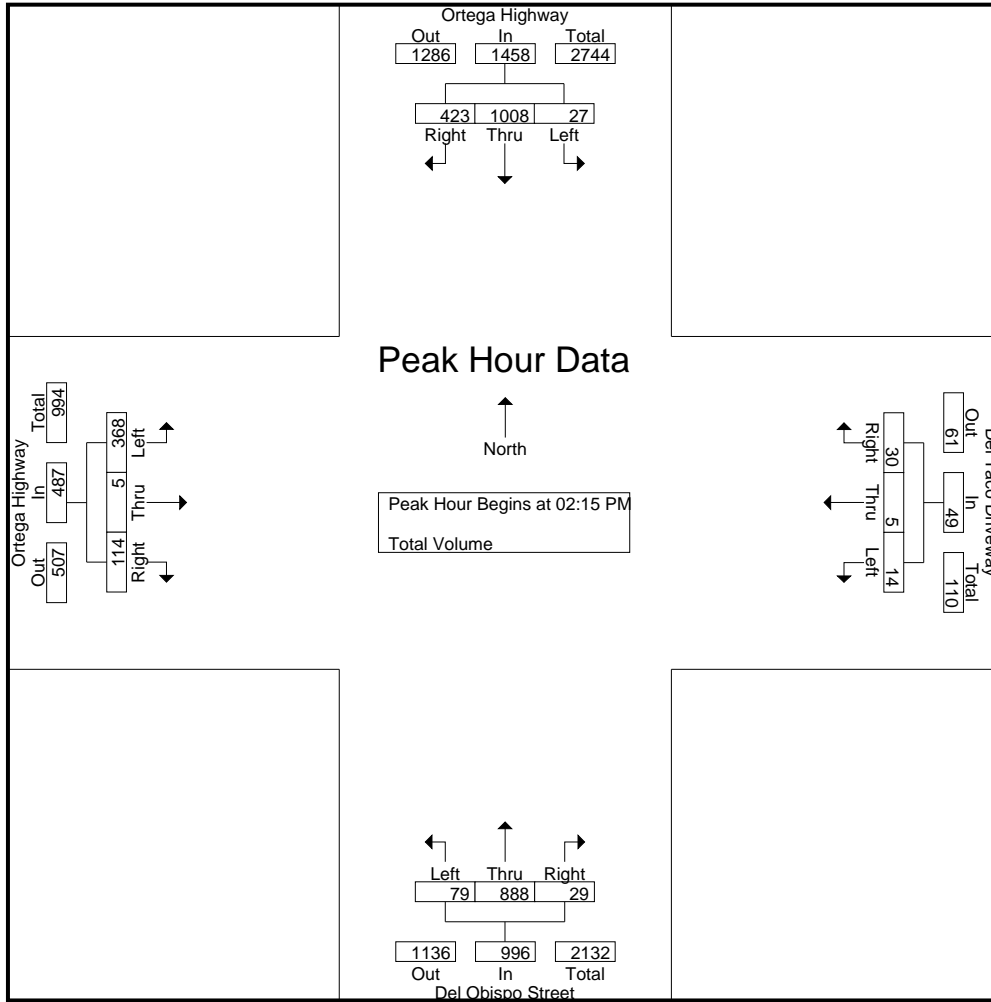
Groups Printed- Total Volume

Start Time	Ortega Highway Southbound				Del Taco Driveway Westbound				Del Obispo Street Northbound				Ortega Highway Eastbound				Int. Total
	Left	Thru	Right	App. Total	Left	Thru	Right	App. Total	Left	Thru	Right	App. Total	Left	Thru	Right	App. Total	
01:30 PM	11	230	82	323	3	2	5	10	22	218	6	246	82	2	15	99	678
01:45 PM	7	226	122	355	4	5	11	20	16	183	8	207	99	1	20	120	702
Total	18	456	204	678	7	7	16	30	38	401	14	453	181	3	35	219	1380
02:00 PM	5	225	92	322	8	0	14	22	10	209	6	225	103	1	27	131	700
02:15 PM	4	263	105	372	2	0	7	9	27	219	8	254	101	3	36	140	775
02:30 PM	8	225	92	325	7	1	7	15	19	231	10	260	104	0	22	126	726
02:45 PM	7	262	130	399	2	0	12	14	18	243	8	269	68	1	17	86	768
Total	24	975	419	1418	19	1	40	60	74	902	32	1008	376	5	102	483	2969
03:00 PM	8	258	96	362	3	4	4	11	15	195	3	213	95	1	39	135	721
03:15 PM	16	266	118	400	0	1	9	10	6	107	2	115	84	1	42	127	652
03:30 PM	16	268	116	400	2	3	4	9	9	143	2	154	82	0	26	108	671
03:45 PM	8	275	123	406	2	2	8	12	15	173	4	192	103	2	22	127	737
Total	48	1067	453	1568	7	10	25	42	45	618	11	674	364	4	129	497	2781
Grand Total	90	2498	1076	3664	33	18	81	132	157	1921	57	2135	921	12	266	1199	7130
Apprch %	2.5	68.2	29.4		25	13.6	61.4		7.4	90	2.7		76.8	1	22.2		
Total %	1.3	35	15.1	51.4	0.5	0.3	1.1	1.9	2.2	26.9	0.8	29.9	12.9	0.2	3.7	16.8	

Start Time	Ortega Highway Southbound				Del Taco Driveway Westbound				Del Obispo Street Northbound				Ortega Highway Eastbound				Int. Total
	Left	Thru	Right	App. Total	Left	Thru	Right	App. Total	Left	Thru	Right	App. Total	Left	Thru	Right	App. Total	
Peak Hour Analysis From 01:30 PM to 03:45 PM - Peak 1 of 1																	
Peak Hour for Entire Intersection Begins at 02:15 PM																	
02:15 PM	4	263	105	372	2	0	7	9	27	219	8	254	101	3	36	140	775
02:30 PM	8	225	92	325	7	1	7	15	19	231	10	260	104	0	22	126	726
02:45 PM	7	262	130	399	2	0	12	14	18	243	8	269	68	1	17	86	768
03:00 PM	8	258	96	362	3	4	4	11	15	195	3	213	95	1	39	135	721
Total Volume	27	1008	423	1458	14	5	30	49	79	888	29	996	368	5	114	487	2990
% App. Total	1.9	69.1	29		28.6	10.2	61.2		7.9	89.2	2.9		75.6	1	23.4		
PHF	.844	.958	.813	.914	.500	.313	.625	.817	.731	.914	.725	.926	.885	.417	.731	.870	.965

City of San Juan Capistrano
 N/S: Ortega Highway/Del Obispo Street
 E/W: Ortega Highway
 Weather: Clear

File Name : 03_SJO_Del Ob_74 THURS
 Site Code : 05721453
 Start Date : 9/16/2021
 Page No : 2



Peak Hour Analysis From 01:30 PM to 03:45 PM - Peak 1 of 1
 Peak Hour for Each Approach Begins at:

	03:00 PM				01:45 PM				02:00 PM				01:45 PM			
+0 mins.	8	258	96	362	4	5	11	20	10	209	6	225	99	1	20	120
+15 mins.	16	266	118	400	8	0	14	22	27	219	8	254	103	1	27	131
+30 mins.	16	268	116	400	2	0	7	9	19	231	10	260	101	3	36	140
+45 mins.	8	275	123	406	7	1	7	15	18	243	8	269	104	0	22	126
Total Volume	48	1067	453	1568	21	6	39	66	74	902	32	1008	407	5	105	517
% App. Total	3.1	68	28.9		31.8	9.1	59.1		7.3	89.5	3.2		78.7	1	20.3	
PHF	.750	.970	.921	.966	.656	.300	.696	.750	.685	.928	.800	.937	.978	.417	.729	.923

City of San Juan Capistrano
 N/S: I-5 Southbound Ramps
 E/W: Ortega Highway
 Weather: Clear

File Name : 04_SJO_5S_74 TUES
 Site Code : 05721453
 Start Date : 9/14/2021
 Page No : 1

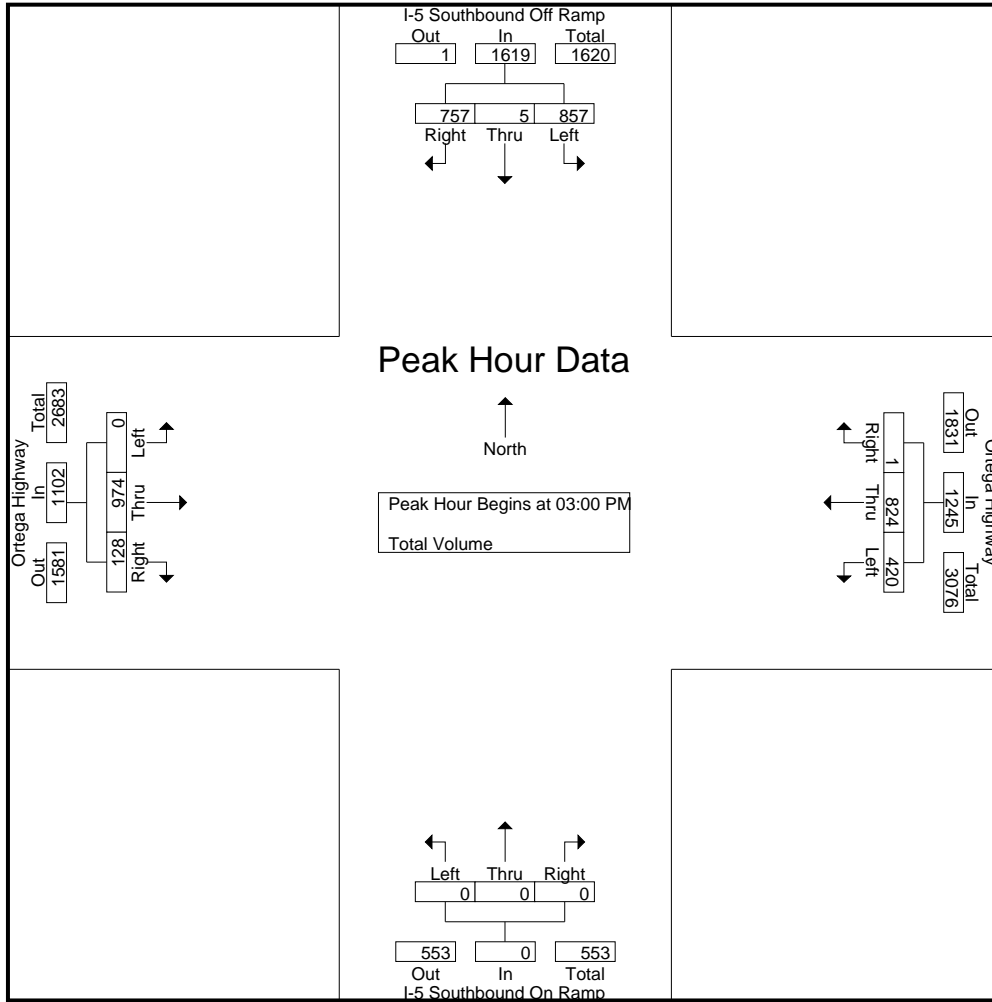
Groups Printed- Total Volume

Start Time	I-5 Southbound Off Ramp Southbound				Ortega Highway Westbound				I-5 Southbound On Ramp Northbound				Ortega Highway Eastbound				Int. Total
	Left	Thru	Right	App. Total	Left	Thru	Right	App. Total	Left	Thru	Right	App. Total	Left	Thru	Right	App. Total	
01:30 PM	149	1	135	285	67	180	0	247	0	0	0	0	0	245	47	292	824
01:45 PM	166	1	169	336	85	134	0	219	0	0	0	0	0	250	59	309	864
Total	315	2	304	621	152	314	0	466	0	0	0	0	0	495	106	601	1688
02:00 PM	155	1	140	296	84	168	0	252	0	0	0	0	0	271	38	309	857
02:15 PM	165	0	157	322	85	172	0	257	0	0	0	0	0	282	39	321	900
02:30 PM	209	0	162	371	94	186	0	280	0	0	0	0	0	271	45	316	967
02:45 PM	217	1	173	391	98	230	0	328	0	0	0	0	0	313	50	363	1082
Total	746	2	632	1380	361	756	0	1117	0	0	0	0	0	1137	172	1309	3806
03:00 PM	250	1	188	439	95	182	1	278	0	0	0	0	0	237	46	283	1000
03:15 PM	136	3	185	324	112	227	0	339	0	0	0	0	0	187	27	214	877
03:30 PM	239	1	197	437	105	185	0	290	0	0	0	0	0	225	24	249	976
03:45 PM	232	0	187	419	108	230	0	338	0	0	0	0	0	325	31	356	1113
Total	857	5	757	1619	420	824	1	1245	0	0	0	0	0	974	128	1102	3966
Grand Total	1918	9	1693	3620	933	1894	1	2828	0	0	0	0	0	2606	406	3012	9460
Apprch %	53	0.2	46.8		33	67	0		0	0	0	0	0	86.5	13.5		
Total %	20.3	0.1	17.9	38.3	9.9	20	0	29.9	0	0	0	0	0	27.5	4.3	31.8	

Start Time	I-5 Southbound Off Ramp Southbound				Ortega Highway Westbound				I-5 Southbound On Ramp Northbound				Ortega Highway Eastbound				Int. Total
	Left	Thru	Right	App. Total	Left	Thru	Right	App. Total	Left	Thru	Right	App. Total	Left	Thru	Right	App. Total	
Peak Hour Analysis From 01:30 PM to 03:45 PM - Peak 1 of 1																	
Peak Hour for Entire Intersection Begins at 03:00 PM																	
03:00 PM	250	1	188	439	95	182	1	278	0	0	0	0	0	237	46	283	1000
03:15 PM	136	3	185	324	112	227	0	339	0	0	0	0	0	187	27	214	877
03:30 PM	239	1	197	437	105	185	0	290	0	0	0	0	0	225	24	249	976
03:45 PM	232	0	187	419	108	230	0	338	0	0	0	0	0	325	31	356	1113
Total Volume	857	5	757	1619	420	824	1	1245	0	0	0	0	0	974	128	1102	3966
% App. Total	52.9	0.3	46.8		33.7	66.2	0.1		0	0	0	0	0	88.4	11.6		
PHF	.857	.417	.961	.922	.938	.896	.250	.918	.000	.000	.000	.000	.000	.749	.696	.774	.891

City of San Juan Capistrano
 N/S: I-5 Southbound Ramps
 E/W: Ortega Highway
 Weather: Clear

File Name : 04_SJO_5S_74 TUES
 Site Code : 05721453
 Start Date : 9/14/2021
 Page No : 2



Peak Hour Analysis From 01:30 PM to 03:45 PM - Peak 1 of 1
 Peak Hour for Each Approach Begins at:

	03:00 PM				03:00 PM				01:30 PM				02:00 PM			
+0 mins.	250	1	188	439	95	182	1	278	0	0	0	0	0	271	38	309
+15 mins.	136	3	185	324	112	227	0	339	0	0	0	0	0	282	39	321
+30 mins.	239	1	197	437	105	185	0	290	0	0	0	0	0	271	45	316
+45 mins.	232	0	187	419	108	230	0	338	0	0	0	0	0	313	50	363
Total Volume	857	5	757	1619	420	824	1	1245	0	0	0	0	0	1137	172	1309
% App. Total	52.9	0.3	46.8		33.7	66.2	0.1		0	0	0	0	0	86.9	13.1	
PHF	.857	.417	.961	.922	.938	.896	.250	.918	.000	.000	.000	.000	.000	.908	.860	.902

City of San Juan Capistrano
 N/S: I-5 Southbound Ramps
 E/W: Ortega Highway
 Weather: Clear

File Name : 04_SJO_5S_74 WED
 Site Code : 05721453
 Start Date : 9/15/2021
 Page No : 1

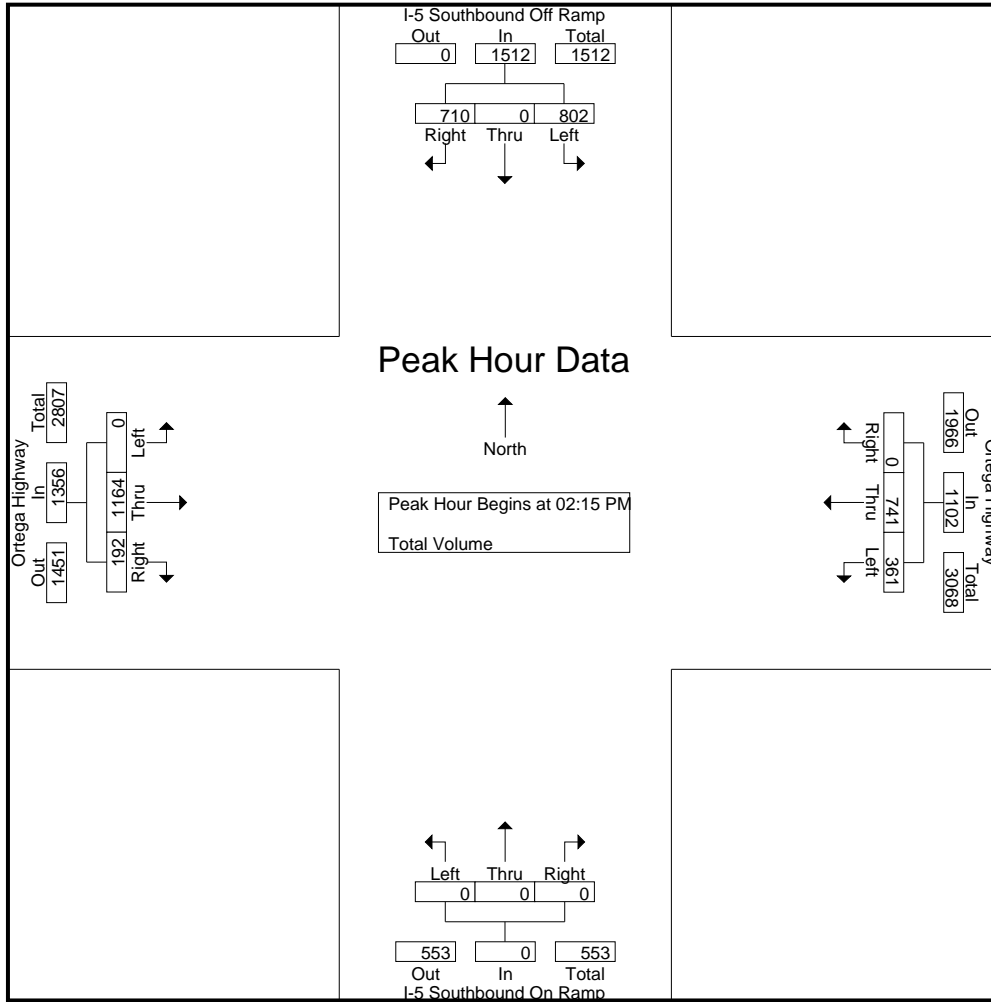
Groups Printed- Total Volume

Start Time	I-5 Southbound Off Ramp Southbound				Ortega Highway Westbound				I-5 Southbound On Ramp Northbound				Ortega Highway Eastbound				Int. Total
	Left	Thru	Right	App. Total	Left	Thru	Right	App. Total	Left	Thru	Right	App. Total	Left	Thru	Right	App. Total	
01:30 PM	148	0	171	319	68	195	0	263	0	0	0	0	0	231	65	296	878
01:45 PM	154	0	192	346	73	198	0	271	0	0	0	0	0	235	51	286	903
Total	302	0	363	665	141	393	0	534	0	0	0	0	0	466	116	582	1781
02:00 PM	146	0	171	317	85	166	0	251	0	0	0	0	0	260	51	311	879
02:15 PM	157	0	184	341	80	194	0	274	0	0	0	0	0	306	50	356	971
02:30 PM	218	0	173	391	103	181	0	284	0	0	0	0	0	291	53	344	1019
02:45 PM	211	0	180	391	81	189	0	270	0	0	0	0	0	310	47	357	1018
Total	732	0	708	1440	349	730	0	1079	0	0	0	0	0	1167	201	1368	3887
03:00 PM	216	0	173	389	97	177	0	274	0	0	0	0	0	257	42	299	962
03:15 PM	127	0	200	327	97	199	0	296	0	0	0	0	0	153	13	166	789
03:30 PM	215	0	185	400	101	204	0	305	0	0	0	0	0	203	22	225	930
03:45 PM	211	0	166	377	102	200	0	302	0	0	0	0	0	277	34	311	990
Total	769	0	724	1493	397	780	0	1177	0	0	0	0	0	890	111	1001	3671
Grand Total	1803	0	1795	3598	887	1903	0	2790	0	0	0	0	0	2523	428	2951	9339
Apprch %	50.1	0	49.9		31.8	68.2	0		0	0	0	0	0	85.5	14.5		
Total %	19.3	0	19.2	38.5	9.5	20.4	0	29.9	0	0	0	0	0	27	4.6	31.6	

Start Time	I-5 Southbound Off Ramp Southbound				Ortega Highway Westbound				I-5 Southbound On Ramp Northbound				Ortega Highway Eastbound				Int. Total
	Left	Thru	Right	App. Total	Left	Thru	Right	App. Total	Left	Thru	Right	App. Total	Left	Thru	Right	App. Total	
Peak Hour Analysis From 01:30 PM to 03:45 PM - Peak 1 of 1																	
Peak Hour for Entire Intersection Begins at 02:15 PM																	
02:15 PM	157	0	184	341	80	194	0	274	0	0	0	0	0	306	50	356	971
02:30 PM	218	0	173	391	103	181	0	284	0	0	0	0	0	291	53	344	1019
02:45 PM	211	0	180	391	81	189	0	270	0	0	0	0	0	310	47	357	1018
03:00 PM	216	0	173	389	97	177	0	274	0	0	0	0	0	257	42	299	962
Total Volume	802	0	710	1512	361	741	0	1102	0	0	0	0	0	1164	192	1356	3970
% App. Total	53	0	47		32.8	67.2	0		0	0	0	0	0	85.8	14.2		
PHF	.920	.000	.965	.967	.876	.955	.000	.970	.000	.000	.000	.000	.000	.939	.906	.950	.974

City of San Juan Capistrano
 N/S: I-5 Southbound Ramps
 E/W: Ortega Highway
 Weather: Clear

File Name : 04_SJO_5S_74 WED
 Site Code : 05721453
 Start Date : 9/15/2021
 Page No : 2



Peak Hour Analysis From 01:30 PM to 03:45 PM - Peak 1 of 1
 Peak Hour for Each Approach Begins at:

	02:15 PM				03:00 PM				01:30 PM				02:00 PM			
+0 mins.	157	0	184	341	97	177	0	274	0	0	0	0	0	260	51	311
+15 mins.	218	0	173	391	97	199	0	296	0	0	0	0	0	306	50	356
+30 mins.	211	0	180	391	101	204	0	305	0	0	0	0	0	291	53	344
+45 mins.	216	0	173	389	102	200	0	302	0	0	0	0	0	310	47	357
Total Volume	802	0	710	1512	397	780	0	1177	0	0	0	0	0	1167	201	1368
% App. Total	53	0	47		33.7	66.3	0		0	0	0	0	0	85.3	14.7	
PHF	.920	.000	.965	.967	.973	.956	.000	.965	.000	.000	.000	.000	.000	.941	.948	.958

City of San Juan Capistrano
 N/S: I-5 Southbound Ramps
 E/W: Ortega Highway
 Weather: Clear

File Name : 04_SJO_5S_74 THURS
 Site Code : 05721453
 Start Date : 9/16/2021
 Page No : 1

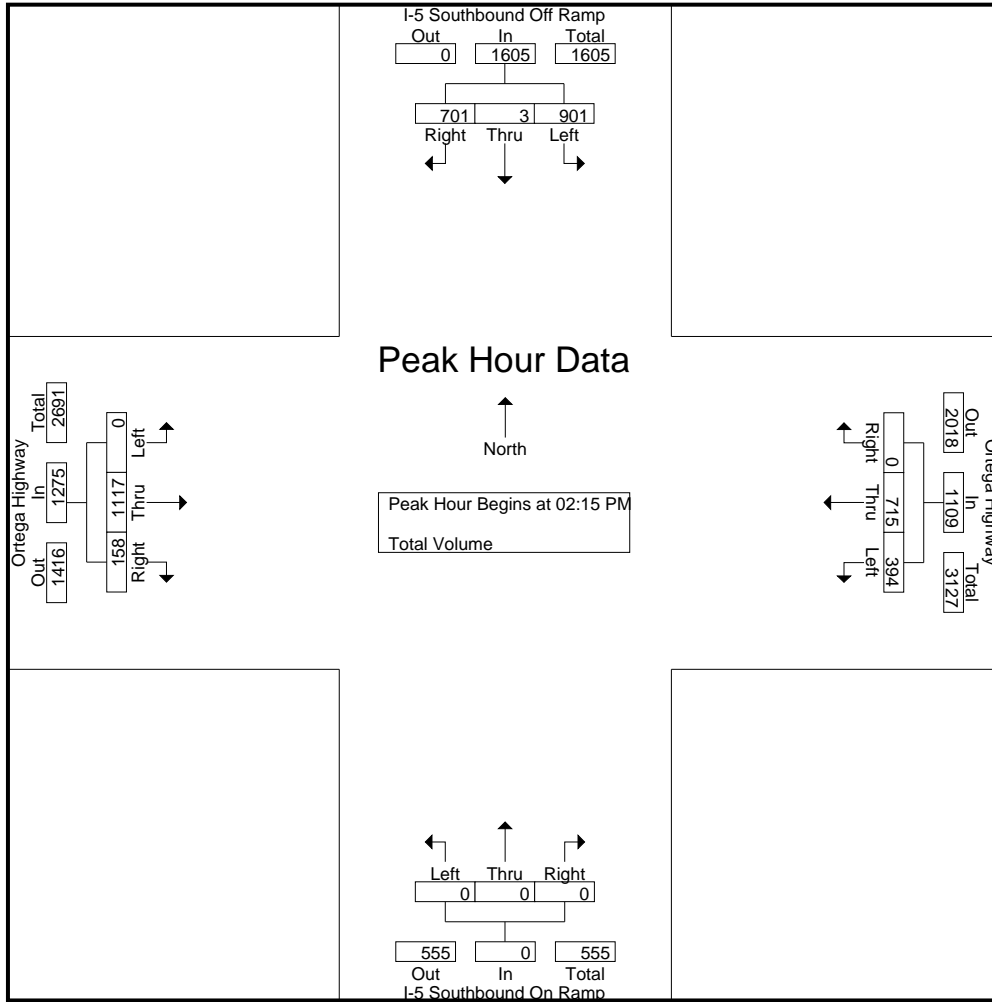
Groups Printed- Total Volume

Start Time	I-5 Southbound Off Ramp Southbound				Ortega Highway Westbound				I-5 Southbound On Ramp Northbound				Ortega Highway Eastbound				Int. Total
	Left	Thru	Right	App. Total	Left	Thru	Right	App. Total	Left	Thru	Right	App. Total	Left	Thru	Right	App. Total	
01:30 PM	145	0	169	314	77	158	0	235	0	0	0	0	0	240	66	306	855
01:45 PM	151	1	170	322	75	198	0	273	0	0	0	0	0	243	50	293	888
Total	296	1	339	636	152	356	0	508	0	0	0	0	0	483	116	599	1743
02:00 PM	154	0	169	323	91	156	0	247	0	0	0	0	0	269	45	314	884
02:15 PM	179	2	171	352	116	184	0	300	0	0	0	0	0	275	49	324	976
02:30 PM	233	0	181	414	81	153	0	234	0	0	0	0	0	296	39	335	983
02:45 PM	238	1	174	413	113	206	0	319	0	0	0	0	0	295	34	329	1061
Total	804	3	695	1502	401	699	0	1100	0	0	0	0	0	1135	167	1302	3904
03:00 PM	251	0	175	426	84	172	0	256	0	0	0	0	0	251	36	287	969
03:15 PM	123	0	161	284	93	229	0	322	0	0	0	0	0	175	38	213	819
03:30 PM	236	3	187	426	97	200	0	297	0	0	0	0	0	216	23	239	962
03:45 PM	252	0	198	450	115	194	0	309	0	0	0	0	0	261	24	285	1044
Total	862	3	721	1586	389	795	0	1184	0	0	0	0	0	903	121	1024	3794
Grand Total	1962	7	1755	3724	942	1850	0	2792	0	0	0	0	0	2521	404	2925	9441
Apprch %	52.7	0.2	47.1		33.7	66.3	0		0	0	0	0	0	86.2	13.8		
Total %	20.8	0.1	18.6	39.4	10	19.6	0	29.6	0	0	0	0	0	26.7	4.3	31	

Start Time	I-5 Southbound Off Ramp Southbound				Ortega Highway Westbound				I-5 Southbound On Ramp Northbound				Ortega Highway Eastbound				Int. Total
	Left	Thru	Right	App. Total	Left	Thru	Right	App. Total	Left	Thru	Right	App. Total	Left	Thru	Right	App. Total	
Peak Hour Analysis From 01:30 PM to 03:45 PM - Peak 1 of 1																	
Peak Hour for Entire Intersection Begins at 02:15 PM																	
02:15 PM	179	2	171	352	116	184	0	300	0	0	0	0	0	275	49	324	976
02:30 PM	233	0	181	414	81	153	0	234	0	0	0	0	0	296	39	335	983
02:45 PM	238	1	174	413	113	206	0	319	0	0	0	0	0	295	34	329	1061
03:00 PM	251	0	175	426	84	172	0	256	0	0	0	0	0	251	36	287	969
Total Volume	901	3	701	1605	394	715	0	1109	0	0	0	0	0	1117	158	1275	3989
% App. Total	56.1	0.2	43.7		35.5	64.5	0		0	0	0	0	0	87.6	12.4		
PHF	.897	.375	.968	.942	.849	.868	.000	.869	.000	.000	.000	.000	.000	.943	.806	.951	.940

City of San Juan Capistrano
 N/S: I-5 Southbound Ramps
 E/W: Ortega Highway
 Weather: Clear

File Name : 04_SJO_5S_74 THURS
 Site Code : 05721453
 Start Date : 9/16/2021
 Page No : 2



Peak Hour Analysis From 01:30 PM to 03:45 PM - Peak 1 of 1
 Peak Hour for Each Approach Begins at:

	02:15 PM				02:45 PM				01:30 PM				02:00 PM			
+0 mins.	179	2	171	352	113	206	0	319	0	0	0	0	0	269	45	314
+15 mins.	233	0	181	414	84	172	0	256	0	0	0	0	0	275	49	324
+30 mins.	238	1	174	413	93	229	0	322	0	0	0	0	0	296	39	335
+45 mins.	251	0	175	426	97	200	0	297	0	0	0	0	0	295	34	329
Total Volume	901	3	701	1605	387	807	0	1194	0	0	0	0	0	1135	167	1302
% App. Total	56.1	0.2	43.7		32.4	67.6	0		0	0	0		0	87.2	12.8	
PHF	.897	.375	.968	.942	.856	.881	.000	.927	.000	.000	.000	.000	.000	.959	.852	.972

City of San Juan Capistrano
 N/S: I-5 Northbound Ramps
 E/W: Ortega Highway
 Weather: Clear

File Name : 05_SJO_5N_74 TUES
 Site Code : 05721453
 Start Date : 9/14/2021
 Page No : 1

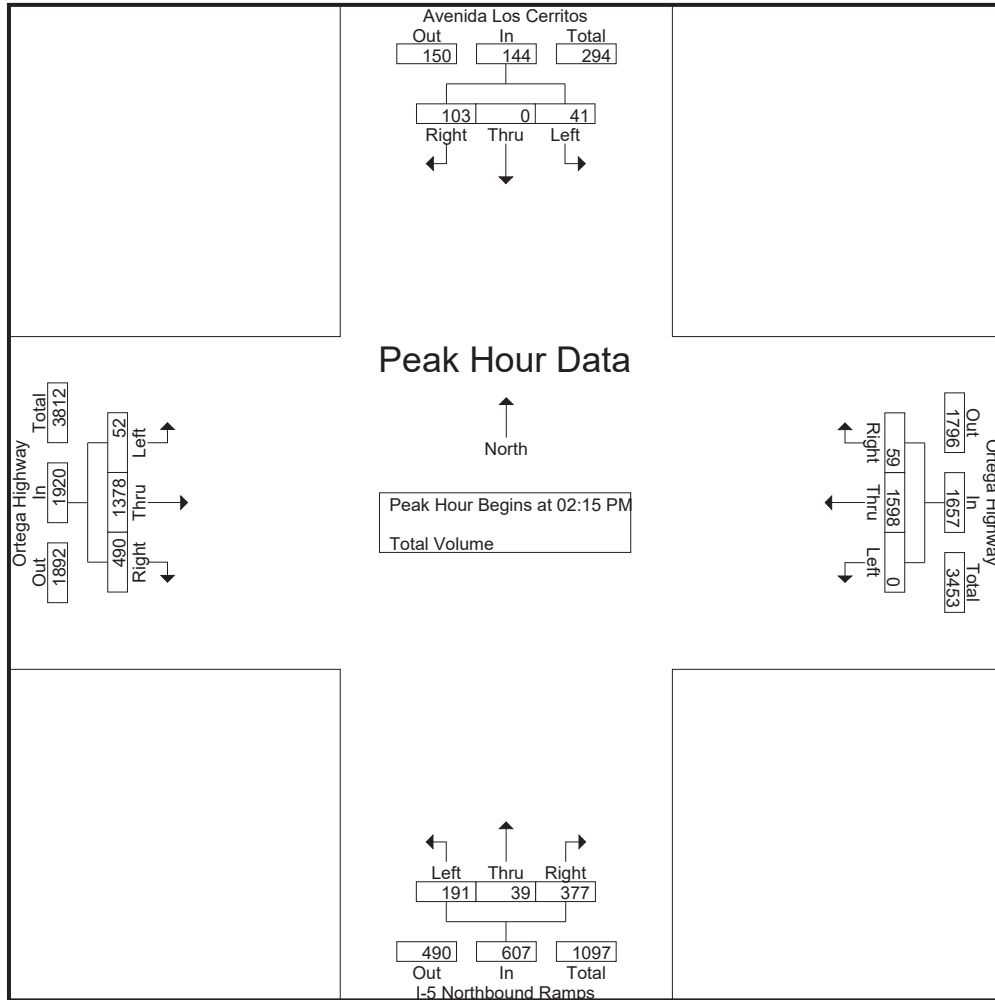
Groups Printed- Total Volume

Start Time	Avenida Los Cerritos Southbound				Ortega Highway Westbound				I-5 Northbound Ramps Northbound				Ortega Highway Eastbound				Int. Total
	Left	Thru	Right	App. Total	Left	Thru	Right	App. Total	Left	Thru	Right	App. Total	Left	Thru	Right	App. Total	
01:30 PM	5	0	19	24	0	352	11	363	41	3	90	134	11	252	119	382	903
01:45 PM	6	0	20	26	0	304	15	319	37	6	92	135	9	305	118	432	912
Total	11	0	39	50	0	656	26	682	78	9	182	269	20	557	237	814	1815
02:00 PM	9	0	25	34	0	327	11	338	43	5	93	141	6	310	116	432	945
02:15 PM	6	0	24	30	0	335	13	348	50	8	102	160	17	311	111	439	977
02:30 PM	13	0	21	34	0	430	14	444	44	8	80	132	7	333	151	491	1101
02:45 PM	10	0	25	35	0	412	17	429	59	15	119	193	17	390	114	521	1178
Total	38	0	95	133	0	1504	55	1559	196	36	394	626	47	1344	492	1883	4201
03:00 PM	12	0	33	45	0	421	15	436	38	8	76	122	11	344	114	469	1072
03:15 PM	5	0	19	24	0	455	13	468	31	4	93	128	10	243	78	331	951
03:30 PM	9	0	29	38	0	437	20	457	41	8	88	137	11	353	91	455	1087
03:45 PM	7	0	47	54	0	437	23	460	47	7	102	156	8	382	153	543	1213
Total	33	0	128	161	0	1750	71	1821	157	27	359	543	40	1322	436	1798	4323
Grand Total	82	0	262	344	0	3910	152	4062	431	72	935	1438	107	3223	1165	4495	10339
Apprch %	23.8	0	76.2		0	96.3	3.7		30	5	65		2.4	71.7	25.9		
Total %	0.8	0	2.5	3.3	0	37.8	1.5	39.3	4.2	0.7	9	13.9	1	31.2	11.3	43.5	

Start Time	Avenida Los Cerritos Southbound				Ortega Highway Westbound				I-5 Northbound Ramps Northbound				Ortega Highway Eastbound				Int. Total
	Left	Thru	Right	App. Total	Left	Thru	Right	App. Total	Left	Thru	Right	App. Total	Left	Thru	Right	App. Total	
Peak Hour Analysis From 01:30 PM to 03:45 PM - Peak 1 of 1																	
Peak Hour for Entire Intersection Begins at 02:15 PM																	
02:15 PM	6	0	24	30	0	335	13	348	50	8	102	160	17	311	111	439	977
02:30 PM	13	0	21	34	0	430	14	444	44	8	80	132	7	333	151	491	1101
02:45 PM	10	0	25	35	0	412	17	429	59	15	119	193	17	390	114	521	1178
03:00 PM	12	0	33	45	0	421	15	436	38	8	76	122	11	344	114	469	1072
Total Volume	41	0	103	144	0	1598	59	1657	191	39	377	607	52	1378	490	1920	4328
% App. Total	28.5	0	71.5		0	96.4	3.6		31.5	6.4	62.1		2.7	71.8	25.5		
PHF	.788	.000	.780	.800	.000	.929	.868	.933	.809	.650	.792	.786	.765	.883	.811	.921	.919

City of San Juan Capistrano
 N/S: I-5 Northbound Ramps
 E/W: Ortega Highway
 Weather: Clear

File Name : 05_SJO_5N_74 TUES
 Site Code : 05721453
 Start Date : 9/14/2021
 Page No : 2



Peak Hour Analysis From 01:30 PM to 03:45 PM - Peak 1 of 1
 Peak Hour for Each Approach Begins at:

	03:00 PM				03:00 PM				02:00 PM				02:15 PM			
+0 mins.	12	0	33	45	0	421	15	436	43	5	93	141	17	311	111	439
+15 mins.	5	0	19	24	0	455	13	468	50	8	102	160	7	333	151	491
+30 mins.	9	0	29	38	0	437	20	457	44	8	80	132	17	390	114	521
+45 mins.	7	0	47	54	0	437	23	460	59	15	119	193	11	344	114	469
Total Volume	33	0	128	161	0	1750	71	1821	196	36	394	626	52	1378	490	1920
% App. Total	20.5	0	79.5		0	96.1	3.9		31.3	5.8	62.9		2.7	71.8	25.5	
PHF	.688	.000	.681	.745	.000	.962	.772	.973	.831	.600	.828	.811	.765	.883	.811	.921

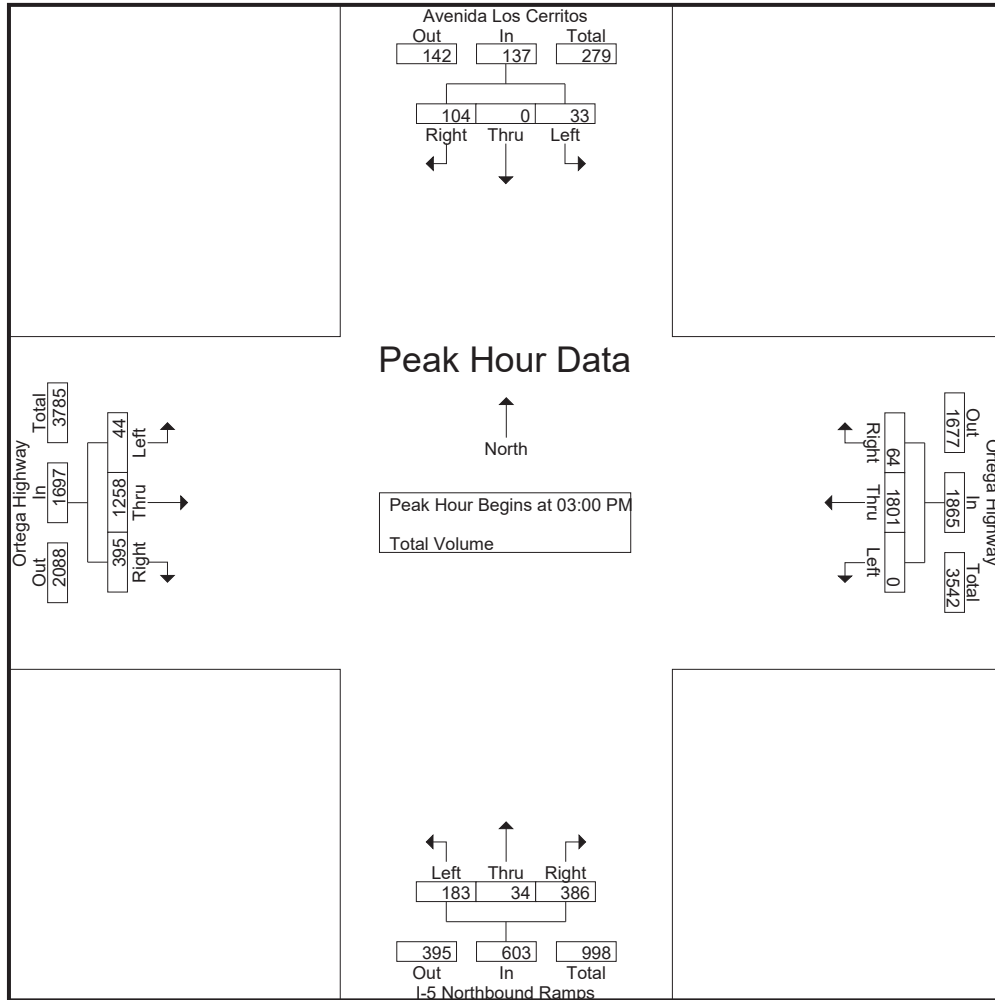
City of San Juan Capistrano
 N/S: I-5 Northbound Ramps
 E/W: Ortega Highway
 Weather: Clear

File Name : 05_SJO_5N_74 WED
 Site Code : 05721453
 Start Date : 9/15/2021
 Page No : 1

Groups Printed- Total Volume

Start Time	Avenida Los Cerritos Southbound				Ortega Highway Westbound				I-5 Northbound Ramps Northbound				Ortega Highway Eastbound				Int. Total
	Left	Thru	Right	App. Total	Left	Thru	Right	App. Total	Left	Thru	Right	App. Total	Left	Thru	Right	App. Total	
01:30 PM	8	0	14	22	0	353	12	365	47	3	79	129	5	243	117	365	881
01:45 PM	4	0	21	25	0	319	14	333	43	7	109	159	10	291	114	415	932
Total	12	0	35	47	0	672	26	698	90	10	188	288	15	534	231	780	1813
02:00 PM	7	0	24	31	0	334	15	349	44	5	78	127	10	266	110	386	893
02:15 PM	9	0	19	28	0	312	10	322	44	5	91	140	20	307	122	449	939
02:30 PM	3	0	24	27	0	382	8	390	48	10	81	139	5	328	164	497	1053
02:45 PM	5	0	25	30	0	365	12	377	55	10	110	175	12	387	121	520	1102
Total	24	0	92	116	0	1393	45	1438	191	30	360	581	47	1288	517	1852	3987
03:00 PM	11	0	21	32	0	419	15	434	34	4	77	115	13	354	101	468	1049
03:15 PM	2	0	22	24	0	451	15	466	39	11	121	171	7	214	81	302	963
03:30 PM	4	0	29	33	0	491	13	504	54	11	96	161	11	329	101	441	1139
03:45 PM	16	0	32	48	0	440	21	461	56	8	92	156	13	361	112	486	1151
Total	33	0	104	137	0	1801	64	1865	183	34	386	603	44	1258	395	1697	4302
Grand Total	69	0	231	300	0	3866	135	4001	464	74	934	1472	106	3080	1143	4329	10102
Apprch %	23	0	77		0	96.6	3.4		31.5	5	63.5		2.4	71.1	26.4		
Total %	0.7	0	2.3	3	0	38.3	1.3	39.6	4.6	0.7	9.2	14.6	1	30.5	11.3	42.9	

Start Time	Avenida Los Cerritos Southbound				Ortega Highway Westbound				I-5 Northbound Ramps Northbound				Ortega Highway Eastbound				Int. Total
	Left	Thru	Right	App. Total	Left	Thru	Right	App. Total	Left	Thru	Right	App. Total	Left	Thru	Right	App. Total	
Peak Hour Analysis From 01:30 PM to 03:45 PM - Peak 1 of 1																	
Peak Hour for Entire Intersection Begins at 03:00 PM																	
03:00 PM	11	0	21	32	0	419	15	434	34	4	77	115	13	354	101	468	1049
03:15 PM	2	0	22	24	0	451	15	466	39	11	121	171	7	214	81	302	963
03:30 PM	4	0	29	33	0	491	13	504	54	11	96	161	11	329	101	441	1139
03:45 PM	16	0	32	48	0	440	21	461	56	8	92	156	13	361	112	486	1151
Total Volume	33	0	104	137	0	1801	64	1865	183	34	386	603	44	1258	395	1697	4302
% App. Total	24.1	0	75.9		0	96.6	3.4		30.3	5.6	64		2.6	74.1	23.3		
PHF	.516	.000	.813	.714	.000	.917	.762	.925	.817	.773	.798	.882	.846	.871	.882	.873	.934



Peak Hour Analysis From 01:30 PM to 03:45 PM - Peak 1 of 1
 Peak Hour for Each Approach Begins at:

	03:00 PM				03:00 PM				02:45 PM				02:15 PM			
+0 mins.	11	0	21	32	0	419	15	434	55	10	110	175	20	307	122	449
+15 mins.	2	0	22	24	0	451	15	466	34	4	77	115	5	328	164	497
+30 mins.	4	0	29	33	0	491	13	504	39	11	121	171	12	387	121	520
+45 mins.	16	0	32	48	0	440	21	461	54	11	96	161	13	354	101	468
Total Volume	33	0	104	137	0	1801	64	1865	182	36	404	622	50	1376	508	1934
% App. Total	24.1	0	75.9		0	96.6	3.4		29.3	5.8	65		2.6	71.1	26.3	
PHF	.516	.000	.813	.714	.000	.917	.762	.925	.827	.818	.835	.889	.625	.889	.774	.930

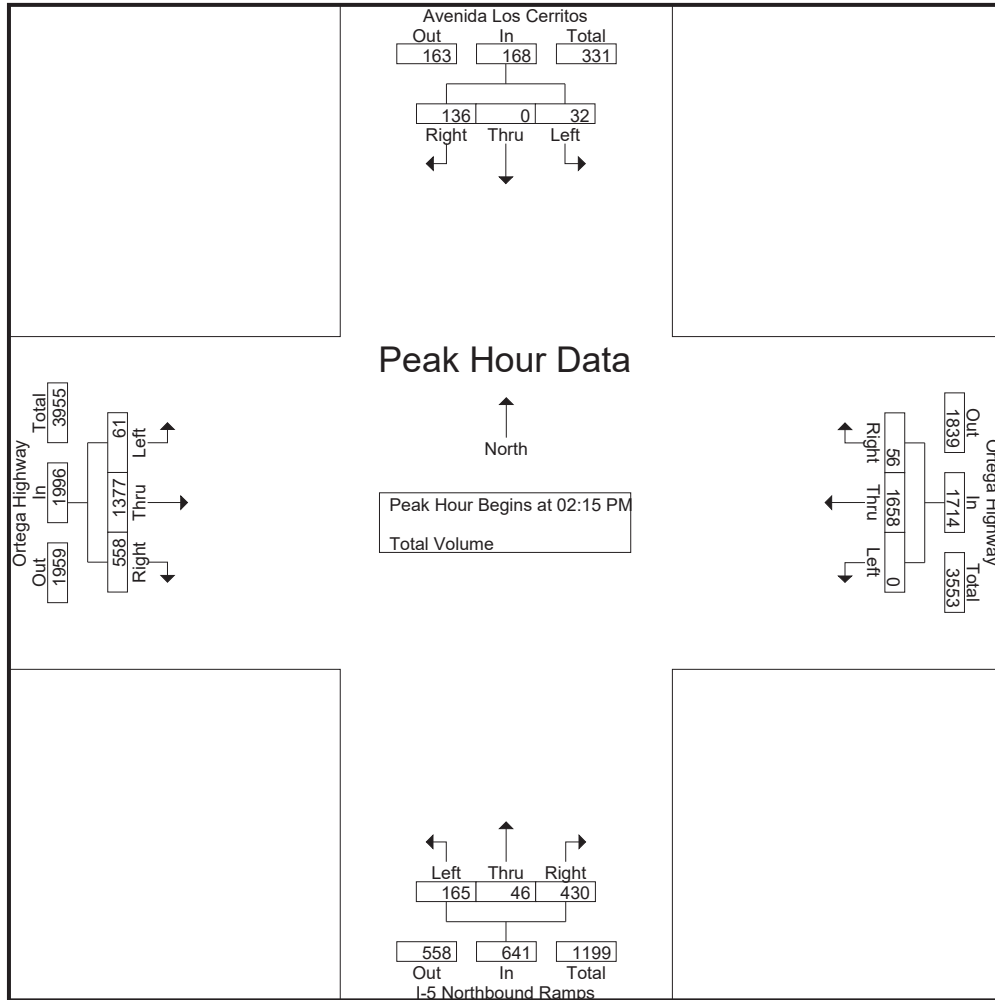
City of San Juan Capistrano
 N/S: I-5 Northbound Ramps
 E/W: Ortega Highway
 Weather: Clear

File Name : 05_SJO_5N_74 THURS
 Site Code : 05721453
 Start Date : 9/16/2021
 Page No : 1

Groups Printed- Total Volume

Start Time	Avenida Los Cerritos Southbound				Ortega Highway Westbound				I-5 Northbound Ramps Northbound				Ortega Highway Eastbound				Int. Total
	Left	Thru	Right	App. Total	Left	Thru	Right	App. Total	Left	Thru	Right	App. Total	Left	Thru	Right	App. Total	
01:30 PM	4	0	27	31	0	337	11	348	45	3	75	123	17	236	126	379	881
01:45 PM	14	0	21	35	0	374	12	386	34	6	96	136	10	284	114	408	965
Total	18	0	48	66	0	711	23	734	79	9	171	259	27	520	240	787	1846
02:00 PM	4	0	21	25	0	323	16	339	44	5	101	150	14	278	126	418	932
02:15 PM	6	0	33	39	0	375	20	395	43	12	107	162	11	310	120	441	1037
02:30 PM	7	0	35	42	0	397	11	408	37	9	105	151	11	355	153	519	1120
02:45 PM	14	0	33	47	0	388	11	399	39	12	118	169	25	357	146	528	1143
Total	31	0	122	153	0	1483	58	1541	163	38	431	632	61	1300	545	1906	4232
03:00 PM	5	0	35	40	0	498	14	512	46	13	100	159	14	355	139	508	1219
03:15 PM	5	0	31	36	0	442	14	456	47	9	103	159	8	208	95	311	962
03:30 PM	5	0	20	25	0	455	14	469	20	7	79	106	13	351	92	456	1056
03:45 PM	13	0	23	36	0	422	18	440	60	8	113	181	11	365	123	499	1156
Total	28	0	109	137	0	1817	60	1877	173	37	395	605	46	1279	449	1774	4393
Grand Total	77	0	279	356	0	4011	141	4152	415	84	997	1496	134	3099	1234	4467	10471
Apprch %	21.6	0	78.4		0	96.6	3.4		27.7	5.6	66.6		3	69.4	27.6		
Total %	0.7	0	2.7	3.4	0	38.3	1.3	39.7	4	0.8	9.5	14.3	1.3	29.6	11.8	42.7	

Start Time	Avenida Los Cerritos Southbound				Ortega Highway Westbound				I-5 Northbound Ramps Northbound				Ortega Highway Eastbound				Int. Total
	Left	Thru	Right	App. Total	Left	Thru	Right	App. Total	Left	Thru	Right	App. Total	Left	Thru	Right	App. Total	
Peak Hour Analysis From 01:30 PM to 03:45 PM - Peak 1 of 1																	
Peak Hour for Entire Intersection Begins at 02:15 PM																	
02:15 PM	6	0	33	39	0	375	20	395	43	12	107	162	11	310	120	441	1037
02:30 PM	7	0	35	42	0	397	11	408	37	9	105	151	11	355	153	519	1120
02:45 PM	14	0	33	47	0	388	11	399	39	12	118	169	25	357	146	528	1143
03:00 PM	5	0	35	40	0	498	14	512	46	13	100	159	14	355	139	508	1219
Total Volume	32	0	136	168	0	1658	56	1714	165	46	430	641	61	1377	558	1996	4519
% App. Total	19	0	81		0	96.7	3.3		25.7	7.2	67.1		3.1	69	28		
PHF	.571	.000	.971	.894	.000	.832	.700	.837	.897	.885	.911	.948	.610	.964	.912	.945	.927



Peak Hour Analysis From 01:30 PM to 03:45 PM - Peak 1 of 1
 Peak Hour for Each Approach Begins at:

	02:15 PM				03:00 PM				02:15 PM				02:15 PM			
+0 mins.	6	0	33	39	0	498	14	512	43	12	107	162	11	310	120	441
+15 mins.	7	0	35	42	0	442	14	456	37	9	105	151	11	355	153	519
+30 mins.	14	0	33	47	0	455	14	469	39	12	118	169	25	357	146	528
+45 mins.	5	0	35	40	0	422	18	440	46	13	100	159	14	355	139	508
Total Volume	32	0	136	168	0	1817	60	1877	165	46	430	641	61	1377	558	1996
% App. Total	19	0	81		0	96.8	3.2		25.7	7.2	67.1		3.1	69	28	
PHF	.571	.000	.971	.894	.000	.912	.833	.917	.897	.885	.911	.948	.610	.964	.912	.945

City of San Juan Capistrano
 N/S: Camino Capistrano
 E/W: Del Obispo Street
 Weather: Clear

File Name : 06_SJO_Cam Cap_Del Ob TUES
 Site Code : 05721453
 Start Date : 9/14/2021
 Page No : 1

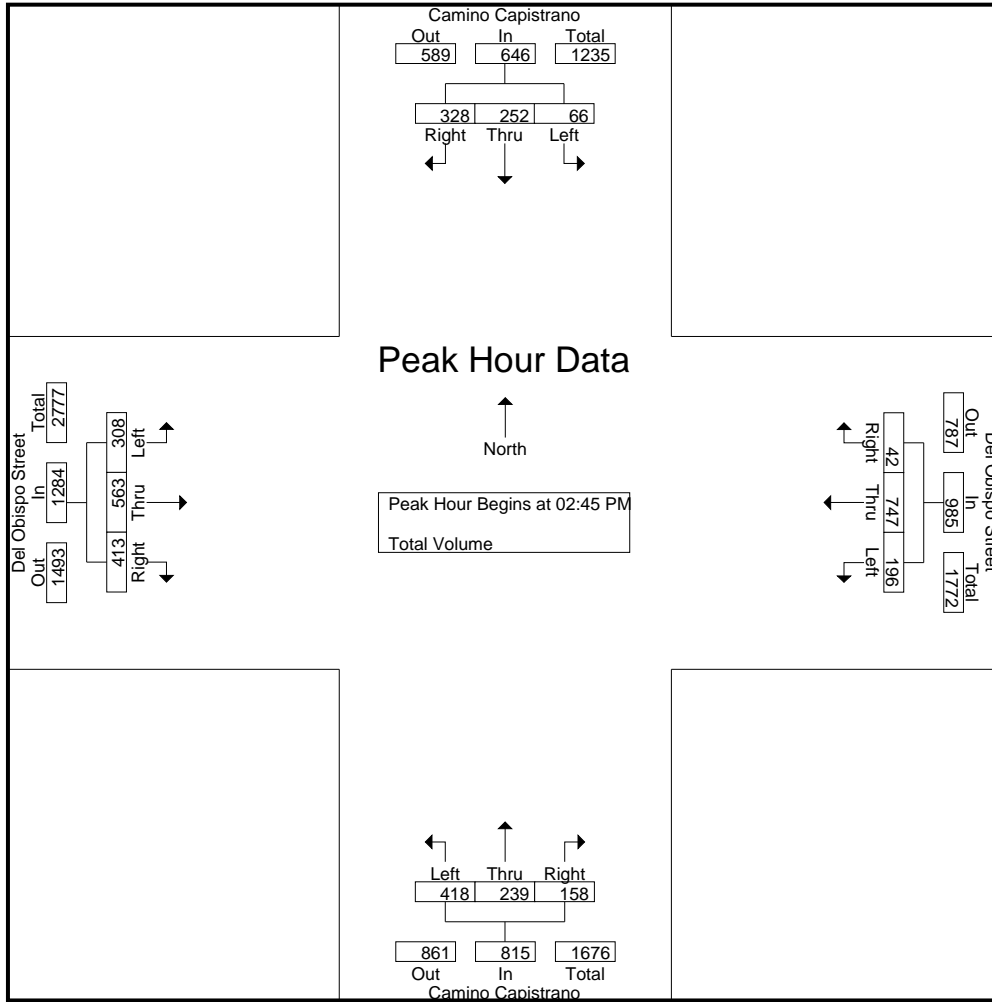
Groups Printed- Total Volume

Start Time	Camino Capistrano Southbound				Del Obispo Street Westbound				Camino Capistrano Northbound				Del Obispo Street Eastbound				Int. Total
	Left	Thru	Right	App. Total	Left	Thru	Right	App. Total	Left	Thru	Right	App. Total	Left	Thru	Right	App. Total	
01:30 PM	13	62	51	126	41	146	5	192	82	59	46	187	52	118	50	220	725
01:45 PM	21	53	46	120	30	138	11	179	92	59	43	194	53	144	52	249	742
Total	34	115	97	246	71	284	16	371	174	118	89	381	105	262	102	469	1467
02:00 PM	18	52	56	126	27	177	14	218	90	57	44	191	47	154	77	278	813
02:15 PM	22	49	61	132	50	174	9	233	115	34	50	199	48	166	80	294	858
02:30 PM	24	43	51	118	50	157	3	210	105	57	59	221	50	177	87	314	863
02:45 PM	20	59	79	158	62	200	11	273	102	56	43	201	77	184	97	358	990
Total	84	203	247	534	189	708	37	934	412	204	196	812	222	681	341	1244	3524
03:00 PM	23	77	104	204	43	167	10	220	98	56	40	194	52	160	115	327	945
03:15 PM	8	56	85	149	50	207	10	267	103	63	39	205	70	103	90	263	884
03:30 PM	15	60	60	135	41	173	11	225	115	64	36	215	109	116	111	336	911
03:45 PM	17	50	64	131	45	183	11	239	103	60	49	212	103	140	97	340	922
Total	63	243	313	619	179	730	42	951	419	243	164	826	334	519	413	1266	3662
Grand Total	181	561	657	1399	439	1722	95	2256	1005	565	449	2019	661	1462	856	2979	8653
Apprch %	12.9	40.1	47		19.5	76.3	4.2		49.8	28	22.2		22.2	49.1	28.7		
Total %	2.1	6.5	7.6	16.2	5.1	19.9	1.1	26.1	11.6	6.5	5.2	23.3	7.6	16.9	9.9	34.4	

Start Time	Camino Capistrano Southbound				Del Obispo Street Westbound				Camino Capistrano Northbound				Del Obispo Street Eastbound				Int. Total
	Left	Thru	Right	App. Total	Left	Thru	Right	App. Total	Left	Thru	Right	App. Total	Left	Thru	Right	App. Total	
Peak Hour Analysis From 01:30 PM to 03:45 PM - Peak 1 of 1																	
Peak Hour for Entire Intersection Begins at 02:45 PM																	
02:45 PM	20	59	79	158	62	200	11	273	102	56	43	201	77	184	97	358	990
03:00 PM	23	77	104	204	43	167	10	220	98	56	40	194	52	160	115	327	945
03:15 PM	8	56	85	149	50	207	10	267	103	63	39	205	70	103	90	263	884
03:30 PM	15	60	60	135	41	173	11	225	115	64	36	215	109	116	111	336	911
Total Volume	66	252	328	646	196	747	42	985	418	239	158	815	308	563	413	1284	3730
% App. Total	10.2	39	50.8		19.9	75.8	4.3		51.3	29.3	19.4		24	43.8	32.2		
PHF	.717	.818	.788	.792	.790	.902	.955	.902	.909	.934	.919	.948	.706	.765	.898	.897	.942

City of San Juan Capistrano
 N/S: Camino Capistrano
 E/W: Del Obispo Street
 Weather: Clear

File Name : 06_SJO_Cam Cap_Del Ob TUES
 Site Code : 05721453
 Start Date : 9/14/2021
 Page No : 2



Peak Hour Analysis From 01:30 PM to 03:45 PM - Peak 1 of 1
 Peak Hour for Each Approach Begins at:

	02:45 PM				02:45 PM				03:00 PM				02:15 PM			
+0 mins.	20	59	79	158	62	200	11	273	98	56	40	194	48	166	80	294
+15 mins.	23	77	104	204	43	167	10	220	103	63	39	205	50	177	87	314
+30 mins.	8	56	85	149	50	207	10	267	115	64	36	215	77	184	97	358
+45 mins.	15	60	60	135	41	173	11	225	103	60	49	212	52	160	115	327
Total Volume	66	252	328	646	196	747	42	985	419	243	164	826	227	687	379	1293
% App. Total	10.2	39	50.8		19.9	75.8	4.3		50.7	29.4	19.9		17.6	53.1	29.3	
PHF	.717	.818	.788	.792	.790	.902	.955	.902	.911	.949	.837	.960	.737	.933	.824	.903

City of San Juan Capistrano
 N/S: Camino Capistrano
 E/W: Del Obispo Street
 Weather: Clear

File Name : 06_SJO_Cam Cap_Del Ob WED
 Site Code : 05721453
 Start Date : 9/15/2021
 Page No : 1

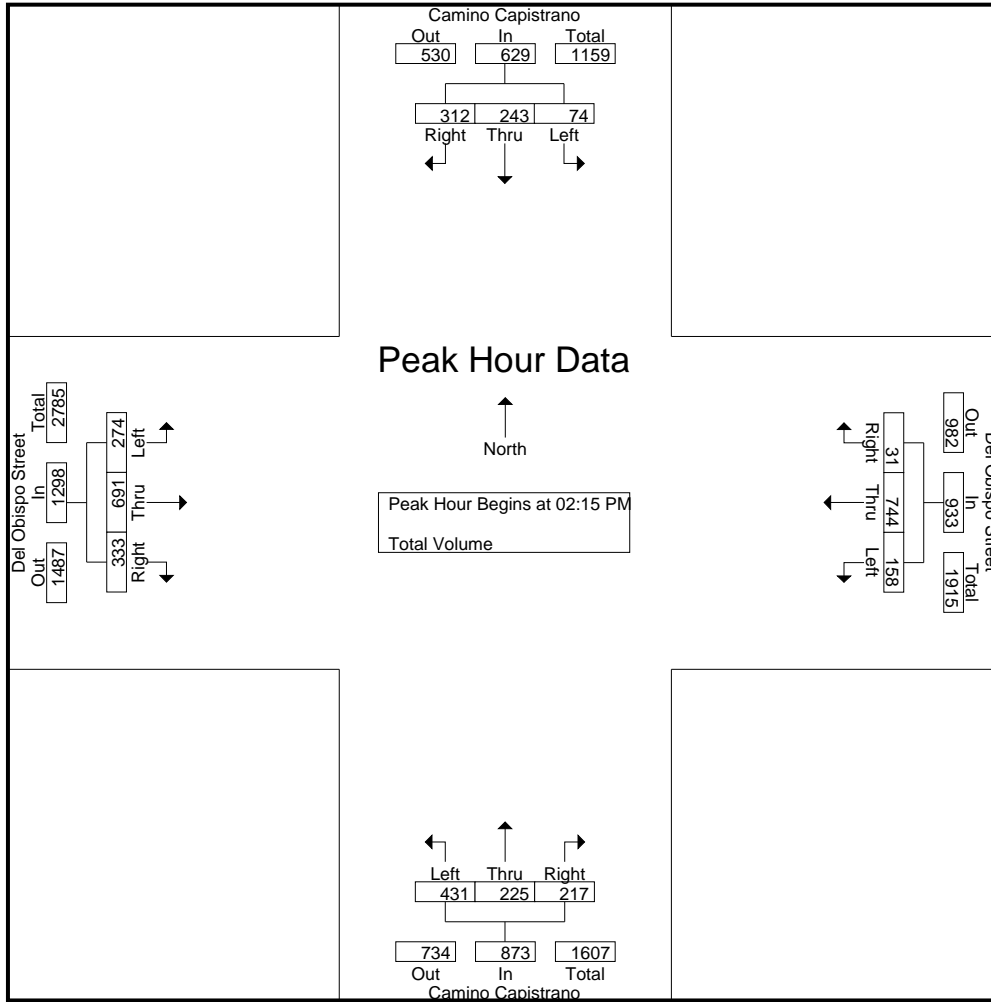
Groups Printed- Total Volume

Start Time	Camino Capistrano Southbound				Del Obispo Street Westbound				Camino Capistrano Northbound				Del Obispo Street Eastbound				Int. Total
	Left	Thru	Right	App. Total	Left	Thru	Right	App. Total	Left	Thru	Right	App. Total	Left	Thru	Right	App. Total	
01:30 PM	18	66	46	130	39	142	7	188	93	54	32	179	42	125	56	223	720
01:45 PM	13	61	53	127	51	153	4	208	93	65	38	196	64	127	52	243	774
Total	31	127	99	257	90	295	11	396	186	119	70	375	106	252	108	466	1494
02:00 PM	17	70	69	156	20	130	7	157	101	52	50	203	59	133	70	262	778
02:15 PM	25	61	98	184	32	219	6	257	111	58	66	235	63	168	71	302	978
02:30 PM	15	60	63	138	34	176	10	220	117	58	56	231	53	179	87	319	908
02:45 PM	14	57	58	129	47	192	5	244	97	54	37	188	68	183	76	327	888
Total	71	248	288	607	133	717	28	878	426	222	209	857	243	663	304	1210	3552
03:00 PM	20	65	93	178	45	157	10	212	106	55	58	219	90	161	99	350	959
03:15 PM	9	65	102	176	72	180	20	272	56	40	19	115	77	85	84	246	809
03:30 PM	7	64	75	146	45	155	7	207	87	35	17	139	55	95	98	248	740
03:45 PM	15	50	65	130	43	159	7	209	59	31	42	132	82	110	106	298	769
Total	51	244	335	630	205	651	44	900	308	161	136	605	304	451	387	1142	3277
Grand Total	153	619	722	1494	428	1663	83	2174	920	502	415	1837	653	1366	799	2818	8323
Apprch %	10.2	41.4	48.3		19.7	76.5	3.8		50.1	27.3	22.6		23.2	48.5	28.4		
Total %	1.8	7.4	8.7	18	5.1	20	1	26.1	11.1	6	5	22.1	7.8	16.4	9.6	33.9	

Start Time	Camino Capistrano Southbound				Del Obispo Street Westbound				Camino Capistrano Northbound				Del Obispo Street Eastbound				Int. Total
	Left	Thru	Right	App. Total	Left	Thru	Right	App. Total	Left	Thru	Right	App. Total	Left	Thru	Right	App. Total	
Peak Hour Analysis From 01:30 PM to 03:45 PM - Peak 1 of 1																	
Peak Hour for Entire Intersection Begins at 02:15 PM																	
02:15 PM	25	61	98	184	32	219	6	257	111	58	66	235	63	168	71	302	978
02:30 PM	15	60	63	138	34	176	10	220	117	58	56	231	53	179	87	319	908
02:45 PM	14	57	58	129	47	192	5	244	97	54	37	188	68	183	76	327	888
03:00 PM	20	65	93	178	45	157	10	212	106	55	58	219	90	161	99	350	959
Total Volume	74	243	312	629	158	744	31	933	431	225	217	873	274	691	333	1298	3733
% App. Total	11.8	38.6	49.6		16.9	79.7	3.3		49.4	25.8	24.9		21.1	53.2	25.7		
PHF	.740	.935	.796	.855	.840	.849	.775	.908	.921	.970	.822	.929	.761	.944	.841	.927	.954

City of San Juan Capistrano
 N/S: Camino Capistrano
 E/W: Del Obispo Street
 Weather: Clear

File Name : 06_SJO_Cam Cap_Del Ob WED
 Site Code : 05721453
 Start Date : 9/15/2021
 Page No : 2



Peak Hour Analysis From 01:30 PM to 03:45 PM - Peak 1 of 1
 Peak Hour for Each Approach Begins at:

	03:00 PM				02:30 PM				02:15 PM				02:15 PM			
+0 mins.	20	65	93	178	34	176	10	220	111	58	66	235	63	168	71	302
+15 mins.	9	65	102	176	47	192	5	244	117	58	56	231	53	179	87	319
+30 mins.	7	64	75	146	45	157	10	212	97	54	37	188	68	183	76	327
+45 mins.	15	50	65	130	72	180	20	272	106	55	58	219	90	161	99	350
Total Volume	51	244	335	630	198	705	45	948	431	225	217	873	274	691	333	1298
% App. Total	8.1	38.7	53.2		20.9	74.4	4.7		49.4	25.8	24.9		21.1	53.2	25.7	
PHF	.638	.938	.821	.885	.688	.918	.563	.871	.921	.970	.822	.929	.761	.944	.841	.927

City of San Juan Capistrano
 N/S: Camino Capistrano
 E/W: Del Obispo Street
 Weather: Clear

File Name : 06_SJO_Cam Cap_Del Ob THURS
 Site Code : 05721453
 Start Date : 9/16/2021
 Page No : 1

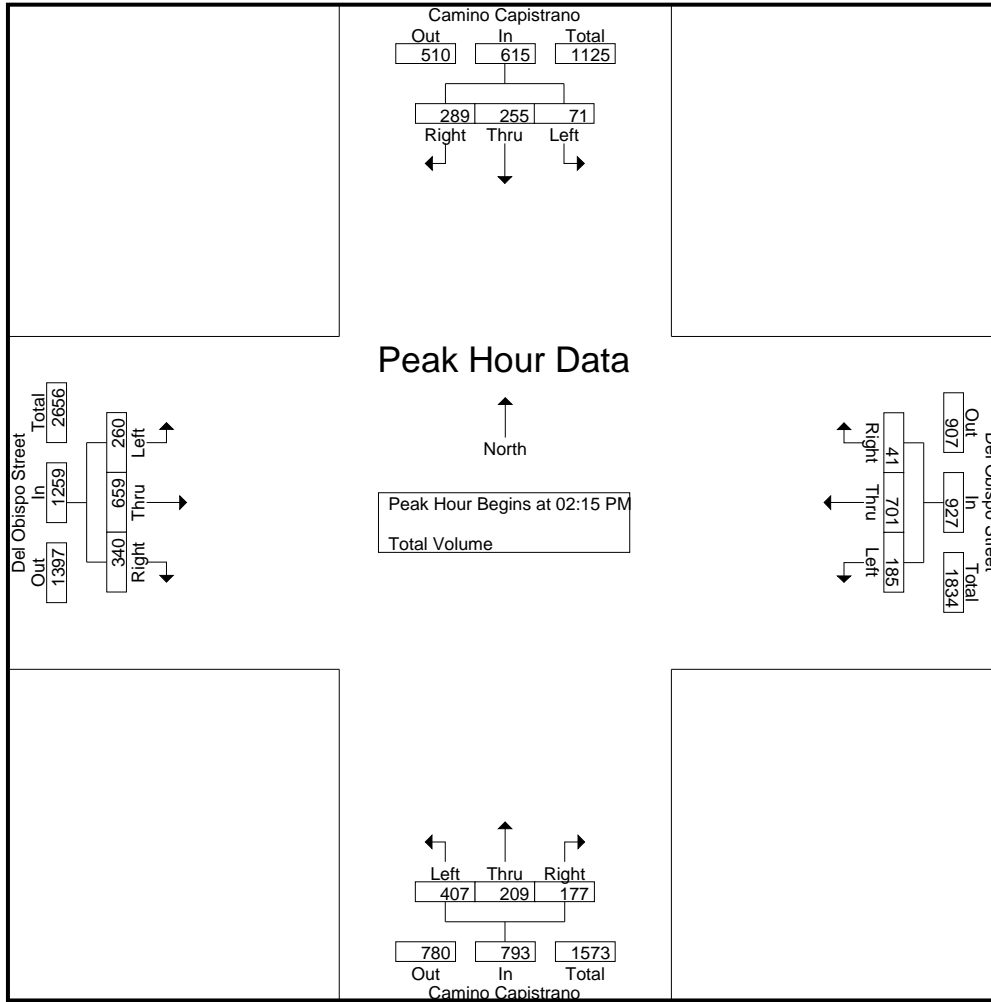
Groups Printed- Total Volume

Start Time	Camino Capistrano Southbound				Del Obispo Street Westbound				Camino Capistrano Northbound				Del Obispo Street Eastbound				Int. Total
	Left	Thru	Right	App. Total	Left	Thru	Right	App. Total	Left	Thru	Right	App. Total	Left	Thru	Right	App. Total	
01:30 PM	14	61	48	123	48	142	12	202	100	55	51	206	55	130	51	236	767
01:45 PM	14	48	51	113	39	131	10	180	78	50	45	173	42	122	42	206	672
Total	28	109	99	236	87	273	22	382	178	105	96	379	97	252	93	442	1439
02:00 PM	19	59	61	139	45	167	5	217	87	48	43	178	50	144	77	271	805
02:15 PM	16	69	79	164	66	186	12	264	95	45	39	179	61	154	73	288	895
02:30 PM	16	69	66	151	35	162	12	209	113	63	48	224	57	164	99	320	904
02:45 PM	19	50	55	124	41	189	11	241	106	55	49	210	66	172	81	319	894
Total	70	247	261	578	187	704	40	931	401	211	179	791	234	634	330	1198	3498
03:00 PM	20	67	89	176	43	164	6	213	93	46	41	180	76	169	87	332	901
03:15 PM	17	62	86	165	65	184	14	263	113	50	46	209	61	95	90	246	883
03:30 PM	12	71	80	163	51	156	6	213	106	73	32	211	101	88	121	310	897
03:45 PM	11	68	66	145	68	163	16	247	92	80	33	205	108	103	88	299	896
Total	60	268	321	649	227	667	42	936	404	249	152	805	346	455	386	1187	3577
Grand Total	158	624	681	1463	501	1644	104	2249	983	565	427	1975	677	1341	809	2827	8514
Apprch %	10.8	42.7	46.5		22.3	73.1	4.6		49.8	28.6	21.6		23.9	47.4	28.6		
Total %	1.9	7.3	8	17.2	5.9	19.3	1.2	26.4	11.5	6.6	5	23.2	8	15.8	9.5	33.2	

Start Time	Camino Capistrano Southbound				Del Obispo Street Westbound				Camino Capistrano Northbound				Del Obispo Street Eastbound				Int. Total
	Left	Thru	Right	App. Total	Left	Thru	Right	App. Total	Left	Thru	Right	App. Total	Left	Thru	Right	App. Total	
Peak Hour Analysis From 01:30 PM to 03:45 PM - Peak 1 of 1																	
Peak Hour for Entire Intersection Begins at 02:15 PM																	
02:15 PM	16	69	79	164	66	186	12	264	95	45	39	179	61	154	73	288	895
02:30 PM	16	69	66	151	35	162	12	209	113	63	48	224	57	164	99	320	904
02:45 PM	19	50	55	124	41	189	11	241	106	55	49	210	66	172	81	319	894
03:00 PM	20	67	89	176	43	164	6	213	93	46	41	180	76	169	87	332	901
Total Volume	71	255	289	615	185	701	41	927	407	209	177	793	260	659	340	1259	3594
% App. Total	11.5	41.5	47		20	75.6	4.4		51.3	26.4	22.3		20.7	52.3	27		
PHF	.888	.924	.812	.874	.701	.927	.854	.878	.900	.829	.903	.885	.855	.958	.859	.948	.994

City of San Juan Capistrano
 N/S: Camino Capistrano
 E/W: Del Obispo Street
 Weather: Clear

File Name : 06_SJO_Cam Cap_Del Ob THURS
 Site Code : 05721453
 Start Date : 9/16/2021
 Page No : 2



Peak Hour Analysis From 01:30 PM to 03:45 PM - Peak 1 of 1
 Peak Hour for Each Approach Begins at:

	03:00 PM				03:00 PM				02:30 PM				02:15 PM			
+0 mins.	20	67	89	176	43	164	6	213	113	63	48	224	61	154	73	288
+15 mins.	17	62	86	165	65	184	14	263	106	55	49	210	57	164	99	320
+30 mins.	12	71	80	163	51	156	6	213	93	46	41	180	66	172	81	319
+45 mins.	11	68	66	145	68	163	16	247	113	50	46	209	76	169	87	332
Total Volume	60	268	321	649	227	667	42	936	425	214	184	823	260	659	340	1259
% App. Total	9.2	41.3	49.5		24.3	71.3	4.5		51.6	26	22.4		20.7	52.3	27	
PHF	.750	.944	.902	.922	.835	.906	.656	.890	.940	.849	.939	.919	.855	.958	.859	.948

City of San Juan Capistrano
 N/S: Plaza Drive
 E/W: Del Obispo Street
 Weather: Clear

File Name : 07_SJO_Plaza_Del Ob TUES
 Site Code : 05721453
 Start Date : 9/14/2021
 Page No : 1

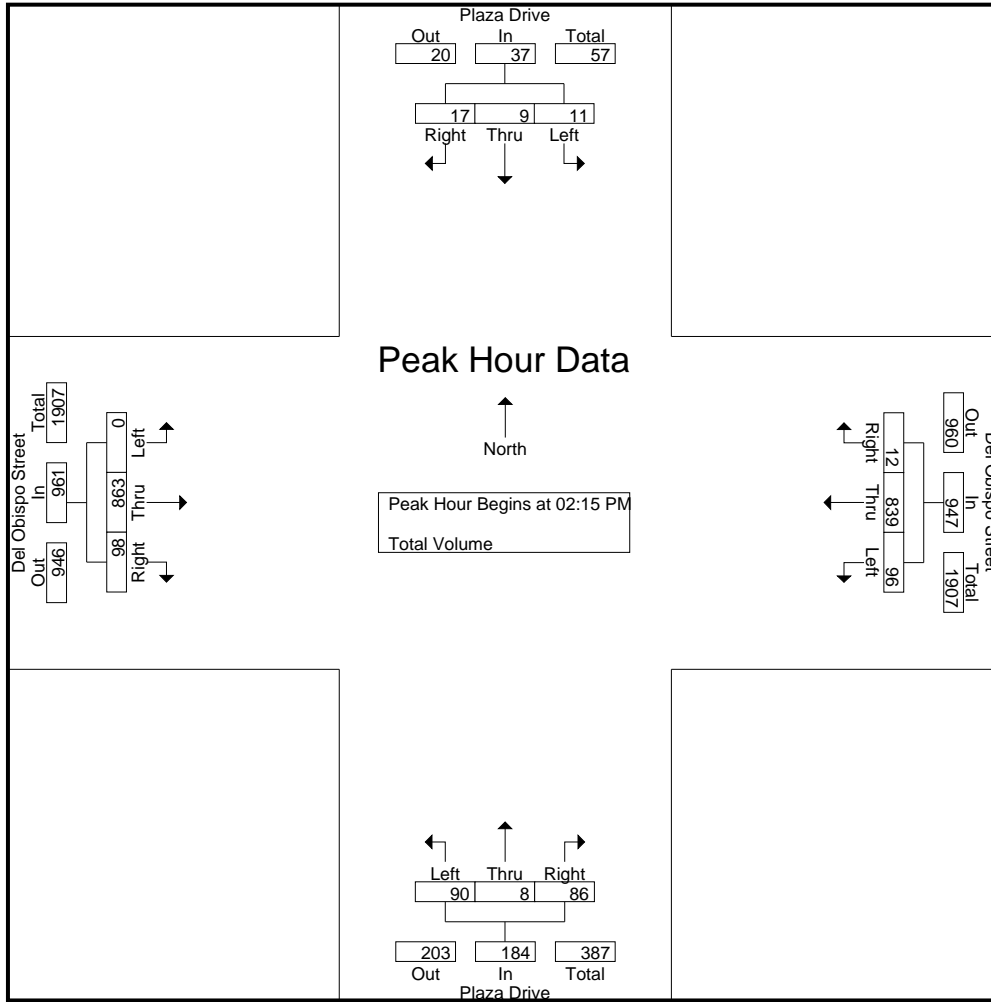
Groups Printed- Total Volume

Start Time	Plaza Drive Southbound				Del Obispo Street Westbound				Plaza Drive Northbound				Del Obispo Street Eastbound				Int. Total
	Left	Thru	Right	App. Total	Left	Thru	Right	App. Total	Left	Thru	Right	App. Total	Left	Thru	Right	App. Total	
01:30 PM	2	1	4	7	23	170	4	197	26	2	22	50	0	179	19	198	452
01:45 PM	2	4	2	8	12	169	5	186	9	5	25	39	0	178	25	203	436
Total	4	5	6	15	35	339	9	383	35	7	47	89	0	357	44	401	888
02:00 PM	5	4	3	12	25	183	4	212	18	3	16	37	0	181	26	207	468
02:15 PM	2	0	4	6	22	204	0	226	26	2	14	42	0	214	31	245	519
02:30 PM	2	2	2	6	23	191	2	216	23	1	29	53	0	225	26	251	526
02:45 PM	3	3	6	12	29	235	7	271	23	2	18	43	0	232	16	248	574
Total	12	9	15	36	99	813	13	925	90	8	77	175	0	852	99	951	2087
03:00 PM	4	4	5	13	22	209	3	234	18	3	25	46	0	192	25	217	510
03:15 PM	1	3	6	10	25	236	5	266	19	8	22	49	0	107	24	131	456
03:30 PM	3	4	4	11	32	205	2	239	19	14	18	51	0	130	32	162	463
03:45 PM	3	3	3	9	24	203	1	228	22	5	19	46	0	191	33	224	507
Total	11	14	18	43	103	853	11	967	78	30	84	192	0	620	114	734	1936
Grand Total	27	28	39	94	237	2005	33	2275	203	45	208	456	0	1829	257	2086	4911
Apprch %	28.7	29.8	41.5		10.4	88.1	1.5		44.5	9.9	45.6		0	87.7	12.3		
Total %	0.5	0.6	0.8	1.9	4.8	40.8	0.7	46.3	4.1	0.9	4.2	9.3	0	37.2	5.2	42.5	

Start Time	Plaza Drive Southbound				Del Obispo Street Westbound				Plaza Drive Northbound				Del Obispo Street Eastbound				Int. Total
	Left	Thru	Right	App. Total	Left	Thru	Right	App. Total	Left	Thru	Right	App. Total	Left	Thru	Right	App. Total	
Peak Hour Analysis From 01:30 PM to 03:45 PM - Peak 1 of 1																	
Peak Hour for Entire Intersection Begins at 02:15 PM																	
02:15 PM	2	0	4	6	22	204	0	226	26	2	14	42	0	214	31	245	519
02:30 PM	2	2	2	6	23	191	2	216	23	1	29	53	0	225	26	251	526
02:45 PM	3	3	6	12	29	235	7	271	23	2	18	43	0	232	16	248	574
03:00 PM	4	4	5	13	22	209	3	234	18	3	25	46	0	192	25	217	510
Total Volume	11	9	17	37	96	839	12	947	90	8	86	184	0	863	98	961	2129
% App. Total	29.7	24.3	45.9		10.1	88.6	1.3		48.9	4.3	46.7		0	89.8	10.2		
PHF	.688	.563	.708	.712	.828	.893	.429	.874	.865	.667	.741	.868	.000	.930	.790	.957	.927

City of San Juan Capistrano
 N/S: Plaza Drive
 E/W: Del Obispo Street
 Weather: Clear

File Name : 07_SJO_Plaza_Del Ob TUES
 Site Code : 05721453
 Start Date : 9/14/2021
 Page No : 2



Peak Hour Analysis From 01:30 PM to 03:45 PM - Peak 1 of 1
 Peak Hour for Each Approach Begins at:

	02:45 PM				02:45 PM				03:00 PM				02:15 PM			
+0 mins.	3	3	6	12	29	235	7	271	18	3	25	46	0	214	31	245
+15 mins.	4	4	5	13	22	209	3	234	19	8	22	49	0	225	26	251
+30 mins.	1	3	6	10	25	236	5	266	19	14	18	51	0	232	16	248
+45 mins.	3	4	4	11	32	205	2	239	22	5	19	46	0	192	25	217
Total Volume	11	14	21	46	108	885	17	1010	78	30	84	192	0	863	98	961
% App. Total	23.9	30.4	45.7		10.7	87.6	1.7		40.6	15.6	43.8		0	89.8	10.2	
PHF	.688	.875	.875	.885	.844	.938	.607	.932	.886	.536	.840	.941	.000	.930	.790	.957

City of San Juan Capistrano
 N/S: Plaza Drive
 E/W: Del Obispo Street
 Weather: Clear

File Name : 07_SJO_Plaza_Del Ob WED
 Site Code : 05721453
 Start Date : 9/15/2021
 Page No : 1

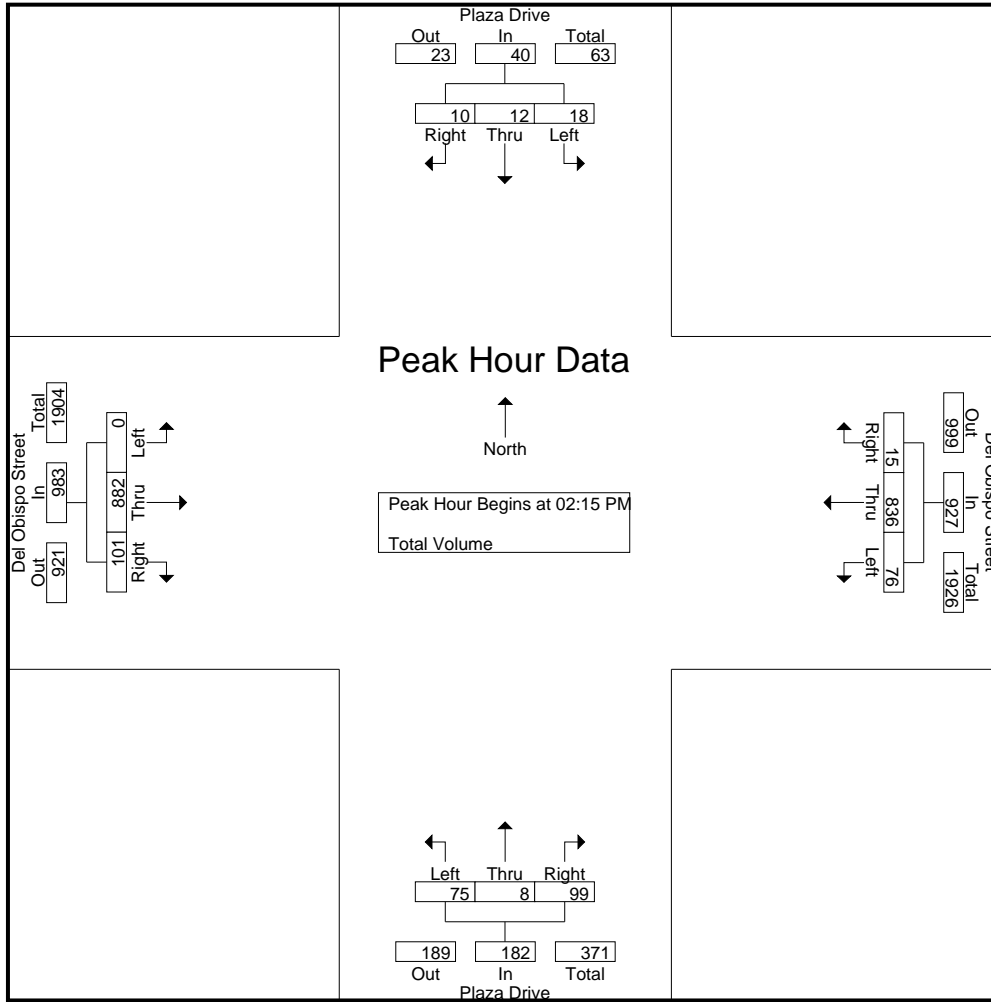
Groups Printed- Total Volume

Start Time	Plaza Drive Southbound				Del Obispo Street Westbound				Plaza Drive Northbound				Del Obispo Street Eastbound				Int. Total
	Left	Thru	Right	App. Total	Left	Thru	Right	App. Total	Left	Thru	Right	App. Total	Left	Thru	Right	App. Total	
01:30 PM	7	2	2	11	33	177	3	213	16	2	31	49	0	146	24	170	443
01:45 PM	1	1	1	3	21	181	6	208	27	7	28	62	1	161	19	181	454
Total	8	3	3	14	54	358	9	421	43	9	59	111	1	307	43	351	897
02:00 PM	7	5	2	14	16	147	3	166	15	3	26	44	0	172	17	189	413
02:15 PM	2	8	2	12	16	233	2	251	14	0	31	45	0	239	23	262	570
02:30 PM	9	2	1	12	23	204	4	231	20	3	28	51	0	225	22	247	541
02:45 PM	3	2	2	7	18	205	4	227	16	3	22	41	0	216	25	241	516
Total	21	17	7	45	73	789	13	875	65	9	107	181	0	852	87	939	2040
03:00 PM	4	0	5	9	19	194	5	218	25	2	18	45	0	202	31	233	505
03:15 PM	1	6	9	16	25	239	5	269	21	5	9	35	0	77	19	96	416
03:30 PM	0	5	3	8	34	202	4	240	9	10	15	34	1	97	20	118	400
03:45 PM	2	2	2	6	31	173	5	209	24	14	16	54	0	155	28	183	452
Total	7	13	19	39	109	808	19	936	79	31	58	168	1	531	98	630	1773
Grand Total	36	33	29	98	236	1955	41	2232	187	49	224	460	2	1690	228	1920	4710
Apprch %	36.7	33.7	29.6		10.6	87.6	1.8		40.7	10.7	48.7		0.1	88	11.9		
Total %	0.8	0.7	0.6	2.1	5	41.5	0.9	47.4	4	1	4.8	9.8	0	35.9	4.8	40.8	

Start Time	Plaza Drive Southbound				Del Obispo Street Westbound				Plaza Drive Northbound				Del Obispo Street Eastbound				Int. Total
	Left	Thru	Right	App. Total	Left	Thru	Right	App. Total	Left	Thru	Right	App. Total	Left	Thru	Right	App. Total	
Peak Hour Analysis From 01:30 PM to 03:45 PM - Peak 1 of 1																	
Peak Hour for Entire Intersection Begins at 02:15 PM																	
02:15 PM	2	8	2	12	16	233	2	251	14	0	31	45	0	239	23	262	570
02:30 PM	9	2	1	12	23	204	4	231	20	3	28	51	0	225	22	247	541
02:45 PM	3	2	2	7	18	205	4	227	16	3	22	41	0	216	25	241	516
03:00 PM	4	0	5	9	19	194	5	218	25	2	18	45	0	202	31	233	505
Total Volume	18	12	10	40	76	836	15	927	75	8	99	182	0	882	101	983	2132
% App. Total	45	30	25		8.2	90.2	1.6		41.2	4.4	54.4		0	89.7	10.3		
PHF	.500	.375	.500	.833	.826	.897	.750	.923	.750	.667	.798	.892	.000	.923	.815	.938	.935

City of San Juan Capistrano
 N/S: Plaza Drive
 E/W: Del Obispo Street
 Weather: Clear

File Name : 07_SJO_Plaza_Del Ob WED
 Site Code : 05721453
 Start Date : 9/15/2021
 Page No : 2



Peak Hour Analysis From 01:30 PM to 03:45 PM - Peak 1 of 1
 Peak Hour for Each Approach Begins at:

	02:00 PM				02:45 PM				01:45 PM				02:15 PM			
+0 mins.	7	5	2	14	18	205	4	227	27	7	28	62	0	239	23	262
+15 mins.	2	8	2	12	19	194	5	218	15	3	26	44	0	225	22	247
+30 mins.	9	2	1	12	25	239	5	269	14	0	31	45	0	216	25	241
+45 mins.	3	2	2	7	34	202	4	240	20	3	28	51	0	202	31	233
Total Volume	21	17	7	45	96	840	18	954	76	13	113	202	0	882	101	983
% App. Total	46.7	37.8	15.6		10.1	88.1	1.9		37.6	6.4	55.9		0	89.7	10.3	
PHF	.583	.531	.875	.804	.706	.879	.900	.887	.704	.464	.911	.815	.000	.923	.815	.938

City of San Juan Capistrano
 N/S: Plaza Drive
 E/W: Del Obispo Street
 Weather: Clear

File Name : 07_SJO_Plaza_Del Ob THURS
 Site Code : 05721453
 Start Date : 9/16/2021
 Page No : 1

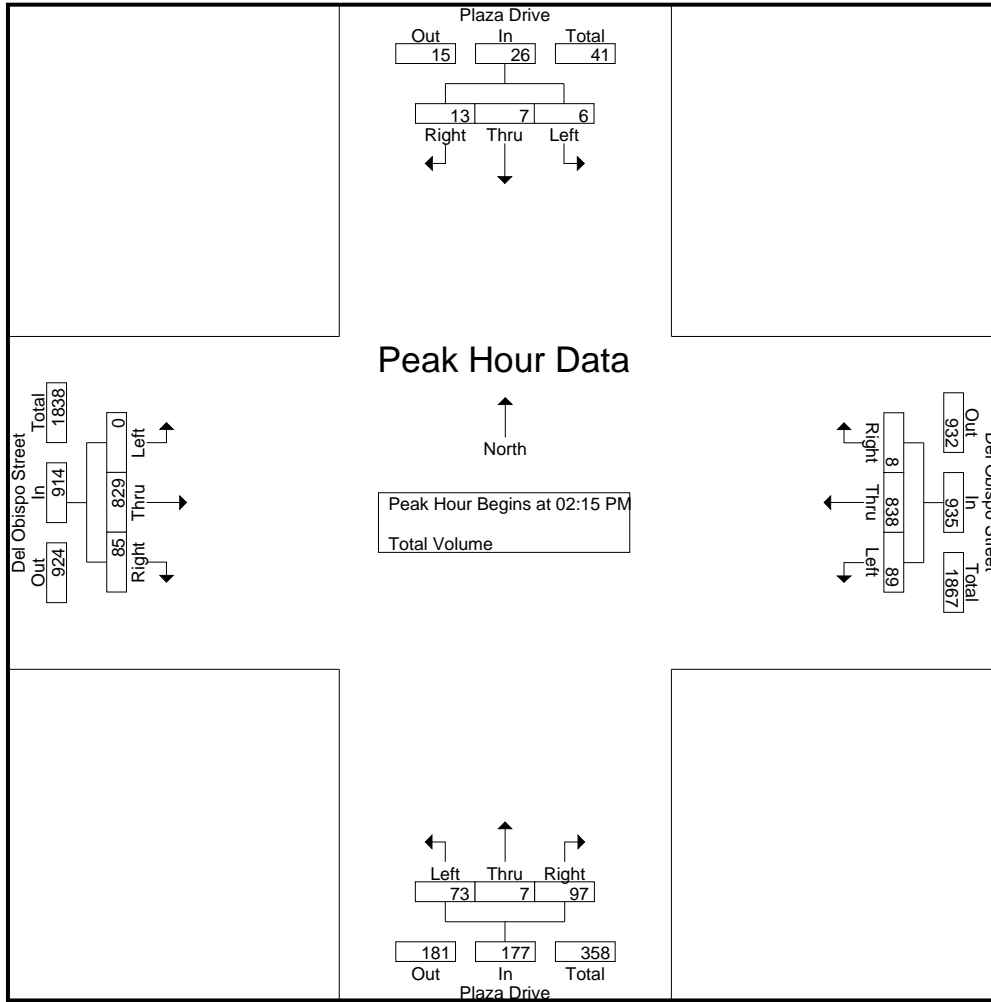
Groups Printed- Total Volume

Start Time	Plaza Drive Southbound				Del Obispo Street Westbound				Plaza Drive Northbound				Del Obispo Street Eastbound				Int. Total
	Left	Thru	Right	App. Total	Left	Thru	Right	App. Total	Left	Thru	Right	App. Total	Left	Thru	Right	App. Total	
01:30 PM	3	3	5	11	20	167	3	190	28	3	29	60	0	166	17	183	444
01:45 PM	2	0	2	4	27	179	2	208	26	2	24	52	0	171	22	193	457
Total	5	3	7	15	47	346	5	398	54	5	53	112	0	337	39	376	901
02:00 PM	6	1	6	13	18	190	3	211	30	3	16	49	0	181	27	208	481
02:15 PM	0	3	4	7	21	233	0	254	9	2	30	41	0	192	23	215	517
02:30 PM	3	2	4	9	26	183	3	212	23	3	23	49	0	200	21	221	491
02:45 PM	1	1	4	6	22	214	0	236	21	1	24	46	0	223	21	244	532
Total	10	7	18	35	87	820	6	913	83	9	93	185	0	796	92	888	2021
03:00 PM	2	1	1	4	20	208	5	233	20	1	20	41	0	214	20	234	512
03:15 PM	1	2	5	8	31	232	7	270	27	3	29	59	0	112	24	136	473
03:30 PM	2	1	4	7	23	192	2	217	18	4	19	41	0	97	32	129	394
03:45 PM	0	4	3	7	31	220	5	256	22	6	19	47	0	123	27	150	460
Total	5	8	13	26	105	852	19	976	87	14	87	188	0	546	103	649	1839
Grand Total	20	18	38	76	239	2018	30	2287	224	28	233	485	0	1679	234	1913	4761
Apprch %	26.3	23.7	50		10.5	88.2	1.3		46.2	5.8	48		0	87.8	12.2		
Total %	0.4	0.4	0.8	1.6	5	42.4	0.6	48	4.7	0.6	4.9	10.2	0	35.3	4.9	40.2	

Start Time	Plaza Drive Southbound				Del Obispo Street Westbound				Plaza Drive Northbound				Del Obispo Street Eastbound				Int. Total
	Left	Thru	Right	App. Total	Left	Thru	Right	App. Total	Left	Thru	Right	App. Total	Left	Thru	Right	App. Total	
Peak Hour Analysis From 01:30 PM to 03:45 PM - Peak 1 of 1																	
Peak Hour for Entire Intersection Begins at 02:15 PM																	
02:15 PM	0	3	4	7	21	233	0	254	9	2	30	41	0	192	23	215	517
02:30 PM	3	2	4	9	26	183	3	212	23	3	23	49	0	200	21	221	491
02:45 PM	1	1	4	6	22	214	0	236	21	1	24	46	0	223	21	244	532
03:00 PM	2	1	1	4	20	208	5	233	20	1	20	41	0	214	20	234	512
Total Volume	6	7	13	26	89	838	8	935	73	7	97	177	0	829	85	914	2052
% App. Total	23.1	26.9	50		9.5	89.6	0.9		41.2	4	54.8		0	90.7	9.3		
PHF	.500	.583	.813	.722	.856	.899	.400	.920	.793	.583	.808	.903	.000	.929	.924	.936	.964

City of San Juan Capistrano
 N/S: Plaza Drive
 E/W: Del Obispo Street
 Weather: Clear

File Name : 07_SJO_Plaza_Del Ob THURS
 Site Code : 05721453
 Start Date : 9/16/2021
 Page No : 2



Peak Hour Analysis From 01:30 PM to 03:45 PM - Peak 1 of 1
 Peak Hour for Each Approach Begins at:

	01:30 PM				03:00 PM				01:30 PM				02:15 PM			
+0 mins.	3	3	5	11	20	208	5	233	28	3	29	60	0	192	23	215
+15 mins.	2	0	2	4	31	232	7	270	26	2	24	52	0	200	21	221
+30 mins.	6	1	6	13	23	192	2	217	30	3	16	49	0	223	21	244
+45 mins.	0	3	4	7	31	220	5	256	9	2	30	41	0	214	20	234
Total Volume	11	7	17	35	105	852	19	976	93	10	99	202	0	829	85	914
% App. Total	31.4	20	48.6		10.8	87.3	1.9		46	5	49		0	90.7	9.3	
PHF	.458	.583	.708	.673	.847	.918	.679	.904	.775	.833	.825	.842	.000	.929	.924	.936

City of San Juan Capistrano
 N/S: Del Obispo Street
 E/W: Project Driveway
 Weather: Clear

File Name : 08_SJO_Del Ob_PDW TUES
 Site Code : 05721453
 Start Date : 9/14/2021
 Page No : 1

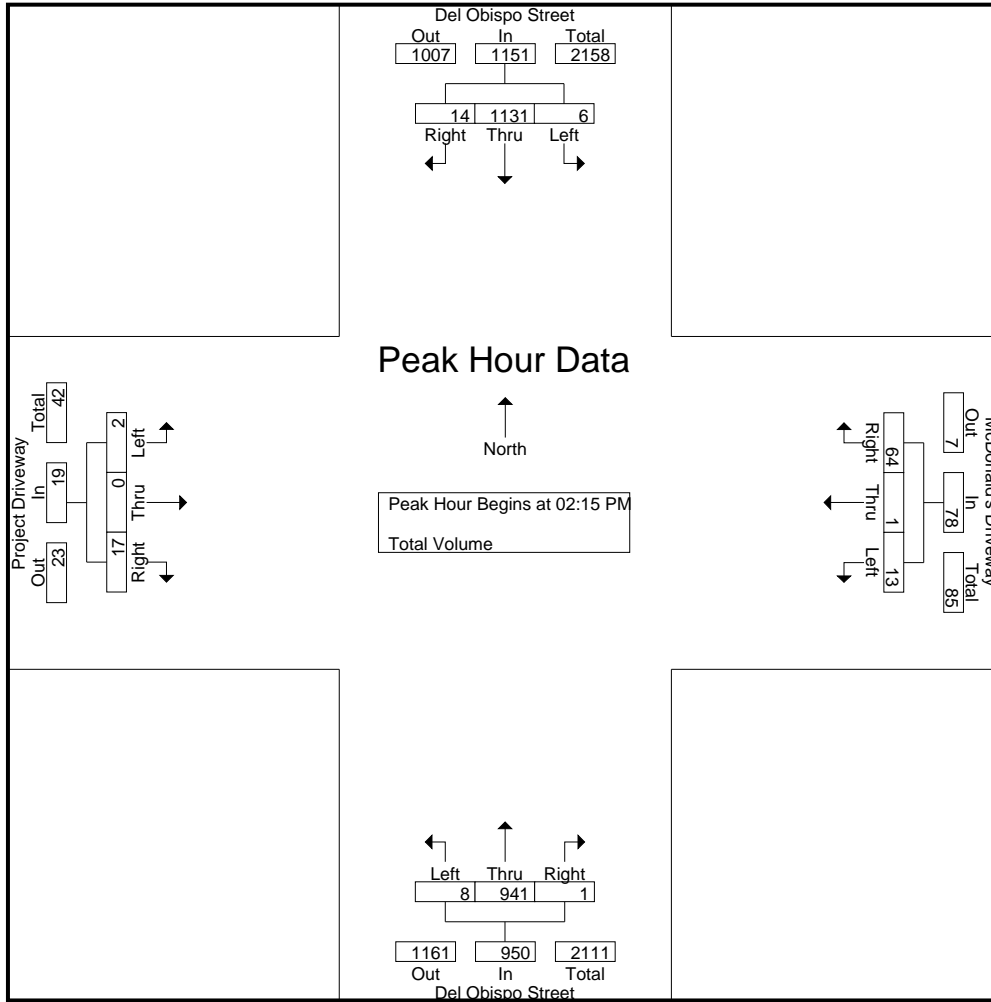
Groups Printed- Total Volume

Start Time	Del Obispo Street Southbound				McDonald's Driveway Westbound				Del Obispo Street Northbound				Project Driveway Eastbound				Int. Total
	Left	Thru	Right	App. Total	Left	Thru	Right	App. Total	Left	Thru	Right	App. Total	Left	Thru	Right	App. Total	
01:30 PM	9	235	1	245	4	0	20	24	2	204	15	221	0	0	5	5	495
01:45 PM	16	261	1	278	6	0	17	23	1	240	11	252	5	0	2	7	560
Total	25	496	2	523	10	0	37	47	3	444	26	473	5	0	7	12	1055
02:00 PM	1	232	2	235	3	0	18	21	0	231	1	232	1	0	2	3	491
02:15 PM	2	282	3	287	3	1	14	18	4	237	1	242	0	0	5	5	552
02:30 PM	2	252	1	255	2	0	21	23	1	241	0	242	1	0	4	5	525
02:45 PM	1	315	7	323	3	0	16	19	0	269	0	269	1	0	3	4	615
Total	6	1081	13	1100	11	1	69	81	5	978	2	985	3	0	14	17	2183
03:00 PM	1	282	3	286	5	0	13	18	3	194	0	197	0	0	5	5	506
03:15 PM	0	318	3	321	1	0	13	14	2	103	0	105	1	0	5	6	446
03:30 PM	1	291	3	295	1	0	12	13	1	193	0	194	0	0	5	5	507
03:45 PM	0	295	2	297	0	0	14	14	1	258	0	259	2	0	2	4	574
Total	2	1186	11	1199	7	0	52	59	7	748	0	755	3	0	17	20	2033
Grand Total	33	2763	26	2822	28	1	158	187	15	2170	28	2213	11	0	38	49	5271
Apprch %	1.2	97.9	0.9		15	0.5	84.5		0.7	98.1	1.3		22.4	0	77.6		
Total %	0.6	52.4	0.5	53.5	0.5	0	3	3.5	0.3	41.2	0.5	42	0.2	0	0.7	0.9	

Start Time	Del Obispo Street Southbound				McDonald's Driveway Westbound				Del Obispo Street Northbound				Project Driveway Eastbound				Int. Total
	Left	Thru	Right	App. Total	Left	Thru	Right	App. Total	Left	Thru	Right	App. Total	Left	Thru	Right	App. Total	
Peak Hour Analysis From 01:30 PM to 03:45 PM - Peak 1 of 1																	
Peak Hour for Entire Intersection Begins at 02:15 PM																	
02:15 PM	2	282	3	287	3	1	14	18	4	237	1	242	0	0	5	5	552
02:30 PM	2	252	1	255	2	0	21	23	1	241	0	242	1	0	4	5	525
02:45 PM	1	315	7	323	3	0	16	19	0	269	0	269	1	0	3	4	615
03:00 PM	1	282	3	286	5	0	13	18	3	194	0	197	0	0	5	5	506
Total Volume	6	1131	14	1151	13	1	64	78	8	941	1	950	2	0	17	19	2198
% App. Total	0.5	98.3	1.2		16.7	1.3	82.1		0.8	99.1	0.1		10.5	0	89.5		
PHF	.750	.898	.500	.891	.650	.250	.762	.848	.500	.875	.250	.883	.500	.000	.850	.950	.893

City of San Juan Capistrano
 N/S: Del Obispo Street
 E/W: Project Driveway
 Weather: Clear

File Name : 08_SJO_Del Ob_PDW TUES
 Site Code : 05721453
 Start Date : 9/14/2021
 Page No : 2



Peak Hour Analysis From 01:30 PM to 03:45 PM - Peak 1 of 1
 Peak Hour for Each Approach Begins at:

	02:45 PM				01:30 PM				02:00 PM				01:30 PM			
+0 mins.	1	315	7	323	4	0	20	24	0	231	1	232	0	0	5	5
+15 mins.	1	282	3	286	6	0	17	23	4	237	1	242	5	0	2	7
+30 mins.	0	318	3	321	3	0	18	21	1	241	0	242	1	0	2	3
+45 mins.	1	291	3	295	3	1	14	18	0	269	0	269	0	0	5	5
Total Volume	3	1206	16	1225	16	1	69	86	5	978	2	985	6	0	14	20
% App. Total	0.2	98.4	1.3		18.6	1.2	80.2		0.5	99.3	0.2		30	0	70	
PHF	.750	.948	.571	.948	.667	.250	.863	.896	.313	.909	.500	.915	.300	.000	.700	.714

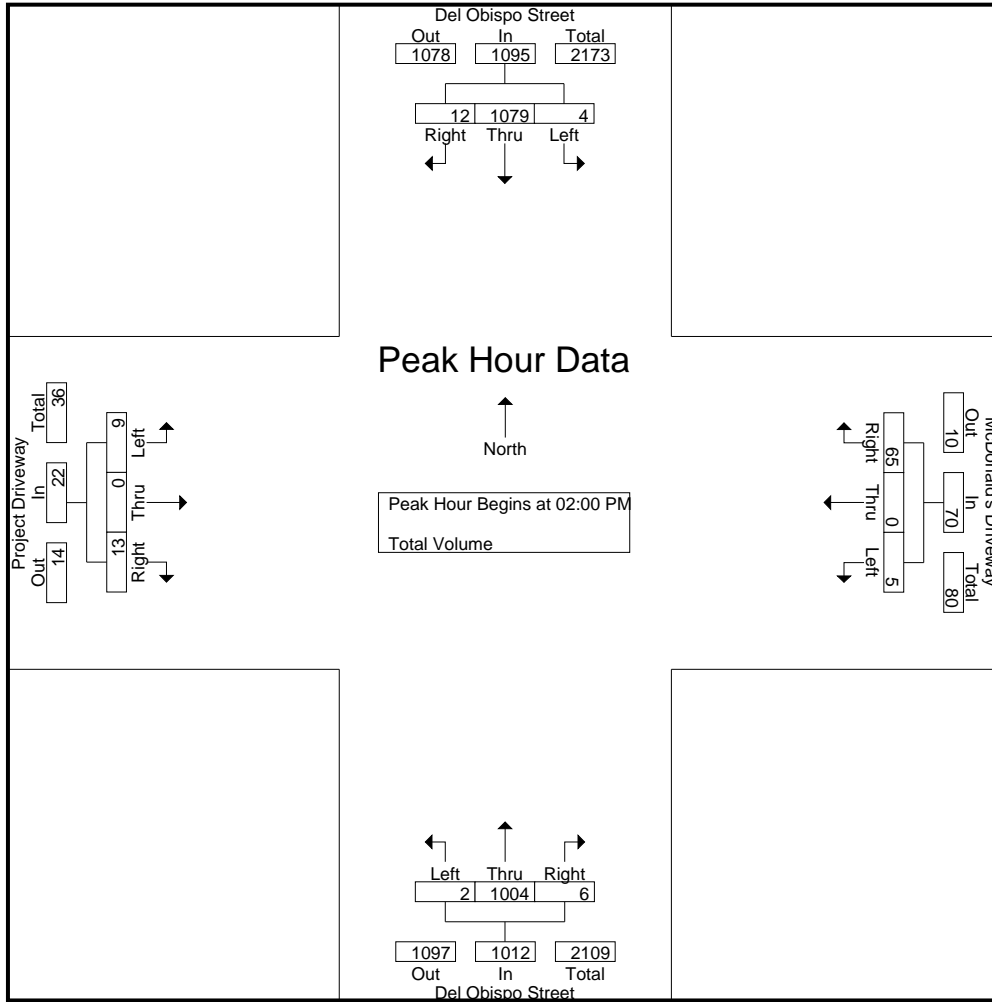
City of San Juan Capistrano
 N/S: Del Obispo Street
 E/W: Project Driveway
 Weather: Clear

File Name : 08_SJO_Del Ob_PDW WED
 Site Code : 05721453
 Start Date : 9/15/2021
 Page No : 1

Groups Printed- Total Volume

Start Time	Del Obispo Street Southbound				McDonald's Driveway Westbound				Del Obispo Street Northbound				Project Driveway Eastbound				Int. Total
	Left	Thru	Right	App. Total	Left	Thru	Right	App. Total	Left	Thru	Right	App. Total	Left	Thru	Right	App. Total	
01:30 PM	11	240	2	253	0	0	19	19	1	203	13	217	3	0	3	6	495
01:45 PM	9	259	3	271	4	0	18	22	2	213	12	227	1	0	7	8	528
Total	20	499	5	524	4	0	37	41	3	416	25	444	4	0	10	14	1023
02:00 PM	2	247	3	252	2	0	16	18	0	232	1	233	7	0	2	9	512
02:15 PM	2	321	1	324	2	0	14	16	1	254	0	255	1	0	4	5	600
02:30 PM	0	247	3	250	0	0	15	15	0	242	4	246	0	0	4	4	515
02:45 PM	0	264	5	269	1	0	20	21	1	276	1	278	1	0	3	4	572
Total	4	1079	12	1095	5	0	65	70	2	1004	6	1012	9	0	13	22	2199
03:00 PM	1	262	1	264	2	0	16	18	1	178	1	180	0	0	6	6	468
03:15 PM	0	304	4	308	4	0	13	17	0	53	0	53	1	0	2	3	381
03:30 PM	1	281	2	284	0	0	7	7	0	156	0	156	1	0	2	3	450
03:45 PM	0	273	3	276	0	0	14	14	2	252	0	254	0	0	3	3	547
Total	2	1120	10	1132	6	0	50	56	3	639	1	643	2	0	13	15	1846
Grand Total	26	2698	27	2751	15	0	152	167	8	2059	32	2099	15	0	36	51	5068
Apprch %	0.9	98.1	1		9	0	91		0.4	98.1	1.5		29.4	0	70.6		
Total %	0.5	53.2	0.5	54.3	0.3	0	3	3.3	0.2	40.6	0.6	41.4	0.3	0	0.7	1	

Start Time	Del Obispo Street Southbound				McDonald's Driveway Westbound				Del Obispo Street Northbound				Project Driveway Eastbound				Int. Total
	Left	Thru	Right	App. Total	Left	Thru	Right	App. Total	Left	Thru	Right	App. Total	Left	Thru	Right	App. Total	
Peak Hour Analysis From 01:30 PM to 03:45 PM - Peak 1 of 1																	
Peak Hour for Entire Intersection Begins at 02:00 PM																	
02:00 PM	2	247	3	252	2	0	16	18	0	232	1	233	7	0	2	9	512
02:15 PM	2	321	1	324	2	0	14	16	1	254	0	255	1	0	4	5	600
02:30 PM	0	247	3	250	0	0	15	15	0	242	4	246	0	0	4	4	515
02:45 PM	0	264	5	269	1	0	20	21	1	276	1	278	1	0	3	4	572
Total Volume	4	1079	12	1095	5	0	65	70	2	1004	6	1012	9	0	13	22	2199
% App. Total	0.4	98.5	1.1		7.1	0	92.9		0.2	99.2	0.6		40.9	0	59.1		
PHF	.500	.840	.600	.845	.625	.000	.813	.833	.500	.909	.375	.910	.321	.000	.813	.611	.916



Peak Hour Analysis From 01:30 PM to 03:45 PM - Peak 1 of 1
 Peak Hour for Each Approach Begins at:

	03:00 PM				01:30 PM				02:00 PM				01:30 PM			
+0 mins.	1	262	1	264	0	0	19	19	0	232	1	233	3	0	3	6
+15 mins.	0	304	4	308	4	0	18	22	1	254	0	255	1	0	7	8
+30 mins.	1	281	2	284	2	0	16	18	0	242	4	246	7	0	2	9
+45 mins.	0	273	3	276	2	0	14	16	1	276	1	278	1	0	4	5
Total Volume	2	1120	10	1132	8	0	67	75	2	1004	6	1012	12	0	16	28
% App. Total	0.2	98.9	0.9		10.7	0	89.3		0.2	99.2	0.6		42.9	0	57.1	
PHF	.500	.921	.625	.919	.500	.000	.882	.852	.500	.909	.375	.910	.429	.000	.571	.778

City of San Juan Capistrano
 N/S: Del Obispo Street
 E/W: Project Driveway
 Weather: Clear

File Name : 08_SJO_Del Ob_PDW THURS
 Site Code : 05721453
 Start Date : 9/16/2021
 Page No : 1

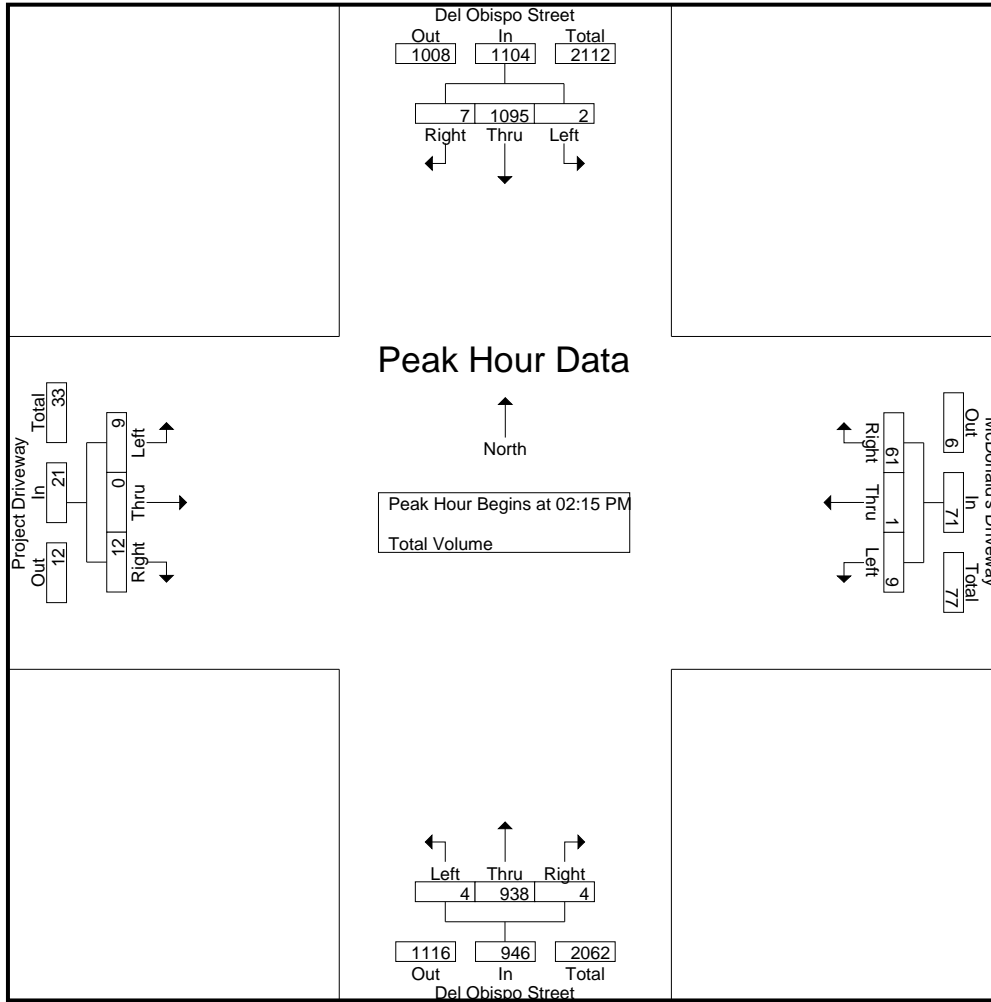
Groups Printed- Total Volume

Start Time	Del Obispo Street Southbound				McDonald's Driveway Westbound				Del Obispo Street Northbound				Project Driveway Eastbound				Int. Total
	Left	Thru	Right	App. Total	Left	Thru	Right	App. Total	Left	Thru	Right	App. Total	Left	Thru	Right	App. Total	
01:30 PM	10	236	1	247	3	0	19	22	3	245	10	258	3	0	4	7	534
01:45 PM	9	239	2	250	6	0	17	23	0	217	7	224	0	0	2	2	499
Total	19	475	3	497	9	0	36	45	3	462	17	482	3	0	6	9	1033
02:00 PM	1	256	1	258	6	0	13	19	4	231	0	235	2	0	5	7	519
02:15 PM	1	298	0	299	0	0	12	12	0	240	2	242	4	0	2	6	559
02:30 PM	0	242	1	243	1	0	14	15	1	244	2	247	1	0	3	4	509
02:45 PM	0	269	3	272	6	1	22	29	3	243	0	246	2	0	2	4	551
Total	2	1065	5	1072	13	1	61	75	8	958	4	970	9	0	12	21	2138
03:00 PM	1	286	3	290	2	0	13	15	0	211	0	211	2	0	5	7	523
03:15 PM	1	306	2	309	1	0	9	10	1	101	0	102	1	0	4	5	426
03:30 PM	4	284	2	290	2	0	7	9	1	149	0	150	0	0	6	6	455
03:45 PM	2	292	3	297	0	0	8	8	3	155	0	158	1	0	4	5	468
Total	8	1168	10	1186	5	0	37	42	5	616	0	621	4	0	19	23	1872
Grand Total	29	2708	18	2755	27	1	134	162	16	2036	21	2073	16	0	37	53	5043
Apprch %	1.1	98.3	0.7		16.7	0.6	82.7		0.8	98.2	1		30.2	0	69.8		
Total %	0.6	53.7	0.4	54.6	0.5	0	2.7	3.2	0.3	40.4	0.4	41.1	0.3	0	0.7	1.1	

Start Time	Del Obispo Street Southbound				McDonald's Driveway Westbound				Del Obispo Street Northbound				Project Driveway Eastbound				Int. Total
	Left	Thru	Right	App. Total	Left	Thru	Right	App. Total	Left	Thru	Right	App. Total	Left	Thru	Right	App. Total	
Peak Hour Analysis From 01:30 PM to 03:45 PM - Peak 1 of 1																	
Peak Hour for Entire Intersection Begins at 02:15 PM																	
02:15 PM	1	298	0	299	0	0	12	12	0	240	2	242	4	0	2	6	559
02:30 PM	0	242	1	243	1	0	14	15	1	244	2	247	1	0	3	4	509
02:45 PM	0	269	3	272	6	1	22	29	3	243	0	246	2	0	2	4	551
03:00 PM	1	286	3	290	2	0	13	15	0	211	0	211	2	0	5	7	523
Total Volume	2	1095	7	1104	9	1	61	71	4	938	4	946	9	0	12	21	2142
% App. Total	0.2	99.2	0.6		12.7	1.4	85.9		0.4	99.2	0.4		42.9	0	57.1		
PHF	.500	.919	.583	.923	.375	.250	.693	.612	.333	.961	.500	.957	.563	.000	.600	.750	.958

City of San Juan Capistrano
 N/S: Del Obispo Street
 E/W: Project Driveway
 Weather: Clear

File Name : 08_SJO_Del Ob_PDW THURS
 Site Code : 05721453
 Start Date : 9/16/2021
 Page No : 2



Peak Hour Analysis From 01:30 PM to 03:45 PM - Peak 1 of 1
 Peak Hour for Each Approach Begins at:

	03:00 PM				01:30 PM				02:00 PM				03:00 PM			
+0 mins.	1	286	3	290	3	0	19	22	4	231	0	235	2	0	5	7
+15 mins.	1	306	2	309	6	0	17	23	0	240	2	242	1	0	4	5
+30 mins.	4	284	2	290	6	0	13	19	1	244	2	247	0	0	6	6
+45 mins.	2	292	3	297	0	0	12	12	3	243	0	246	1	0	4	5
Total Volume	8	1168	10	1186	15	0	61	76	8	958	4	970	4	0	19	23
% App. Total	0.7	98.5	0.8		19.7	0	80.3		0.8	98.8	0.4		17.4	0	82.6	
PHF	.500	.954	.833	.960	.625	.000	.803	.826	.500	.982	.500	.982	.500	.000	.792	.821

Int. No.: 1
N/S Street: Camino Capistrano
E/W Street: Ortega Highway

School Peak Hour				
	9/14/2021	9/15/2021	9/16/2021	AVG
NBL	0	0	0	0
NBT	381	359	382	374
NBR	76	123	92	97
SBL	100	110	113	108
SBT	409	417	412	413
SBR	0	0	0	0
EBL	0	0	0	0
EBT	0	0	0	0
EBR	0	0	0	0
WBL	157	149	145	150
WBT	0	0	0	0
WBR	190	192	195	192
TOTAL	1,313	1,350	1,339	1,334

Int. No.: 2
N/S Street: El Camino Real
E/W Street: Ortega Highway

School Peak Hour				
	9/14/2021	9/15/2021	9/16/2021	AVG
NBL	19	11	13	14
NBT	109	63	124	99
NBR	108	110	130	116
SBL	198	226	190	205
SBT	32	32	32	32
SBR	60	54	61	58
EBL	1	13	9	8
EBT	149	185	191	175
EBR	9	14	8	10
WBL	65	59	71	65
WBT	276	260	258	265
WBR	193	193	158	181
TOTAL	1,219	1,220	1,245	1,228

**Del Obispo Street at Ortega Highway
Hot Spot Calculation
School Peak Hour**

	Northbound			Southbound			Eastbound			Westbound		
	Left	Through	Right	Left	Through	Right	Left	Through	Right	Left	Through	Right
1:30 PM	18	195	6	12	232	85	90	1	17	3	3	11
1:45 PM	18	202	5	6	242	99	84	2	24	4	2	13
2:00 PM	17	221	4	5	229	88	96	2	24	6	1	10
2:15 PM	21	221	7	4	265	98	99	2	27	3	1	6
2:30 PM	17	242	7	4	241	97	97	1	20	4	1	6
2:45 PM	21	248	7	3	259	132	84	1	17	2	1	8
3:00 PM	13	189	2	6	257	94	108	1	29	3	2	5
3:15 PM	8	90	2	18	280	112	94	2	37	2	0	5
3:30 PM	16	158	3	11	278	107	79	1	20	2	2	6
3:45 PM	30	223	3	5	275	125	85	2	22	3	2	4
Peak Half Hour	38	490	14	7	500	229	181	2	37	6	2	14
Peak Hour Equiv.	76	980	28	14	1000	458	362	4	74	12	4	28

**I-5 SB Ramps at Ortega Highway
Hot Spot Calculation
School Peak Hour**

	Northbound			Southbound			Eastbound			Westbound		
	Left	Through	Right	Left	Through	Right	Left	Through	Right	Left	Through	Right
1:30 PM	0	0	0	148	0	158	0	239	59	71	178	0
1:45 PM	0	0	0	158	0	177	0	243	53	78	177	0
2:00 PM	0	0	0	152	0	160	0	267	45	87	163	0
2:15 PM	0	0	0	168	0	171	0	288	46	94	183	0
2:30 PM	0	0	0	220	0	172	0	286	46	93	173	0
2:45 PM	0	0	0	223	0	176	0	306	44	97	208	0
3:00 PM	0	0	0	239	0	179	0	248	41	92	177	0
3:15 PM	0	0	0	130	0	182	0	172	26	101	218	0
3:30 PM	0	0	0	231	0	190	0	215	23	101	196	0
3:45 PM	0	0	0	232	0	184	0	288	30	108	208	0
Peak Half Hour	0	0	0	443	0	348	0	592	90	190	381	0
Peak Hour Equiv.	0	0	0	886	0	696	0	1184	180	380	762	0

**I-5 NB Ramps at Ortega Highway
Hot Spot Calculation
School Peak Hour**

	Northbound			Southbound			Eastbound			Westbound		
	Left	Through	Right	Left	Through	Right	Left	Through	Right	Left	Through	Right
1:30 PM	44	3	81	6	0	20	11	244	121	0	347	11
1:45 PM	38	6	99	8	0	21	10	293	115	0	332	14
2:00 PM	44	5	91	7	0	23	10	285	117	0	328	14
2:15 PM	46	8	100	7	0	25	16	309	118	0	341	14
2:30 PM	43	9	89	8	0	27	8	339	156	0	403	11
2:45 PM	51	12	116	10	0	28	18	378	127	0	388	13
3:00 PM	39	8	84	9	0	30	13	351	118	0	446	15
3:15 PM	39	8	106	4	0	24	8	222	85	0	449	14
3:30 PM	38	9	88	6	0	26	12	344	95	0	461	16
3:45 PM	54	8	102	12	0	34	11	369	129	0	433	21
Peak Half Hour	92	17	190	18	0	60	23	713	224	0	894	37
Peak Hour Equiv.	184	34	380	36	0	120	46	1426	448	0	1788	74

**Camino Capistrano at Del Obispo Street
Hot Spot Calculation
School Peak Hour**

	Northbound			Southbound			Eastbound			Westbound		
	Left	Through	Right	Left	Through	Right	Left	Through	Right	Left	Through	Right
1:30 PM	92	56	43	15	63	48	50	124	52	43	143	8
1:45 PM	88	58	42	16	54	50	53	131	49	40	141	8
2:00 PM	93	52	46	18	60	62	52	144	75	31	158	9
2:15 PM	107	46	52	21	60	79	57	163	75	49	193	9
2:30 PM	112	59	54	18	57	60	53	173	91	40	165	8
2:45 PM	102	55	43	18	55	64	70	180	85	50	194	9
3:00 PM	99	52	46	21	70	95	73	163	100	44	163	9
3:15 PM	91	51	35	11	61	91	69	94	88	62	190	15
3:30 PM	103	57	28	11	65	72	88	100	110	46	161	8
3:45 PM	85	57	41	14	56	65	98	118	97	52	168	11
Peak Half Hour	201	107	89	39	125	159	143	343	185	94	357	18
Peak Hour Equiv.	402	214	178	78	250	318	286	686	370	188	714	36

**Plaza Drive at Del Obispo Street
Hot Spot Calculation
School Peak Hour**

	Northbound			Southbound			Eastbound			Westbound		
	Left	Through	Right	Left	Through	Right	Left	Through	Right	Left	Through	Right
1:30 PM	23	2	27	4	2	4	0	164	20	25	171	3
1:45 PM	21	5	26	2	2	2	0	170	22	20	176	4
2:00 PM	21	3	19	6	3	4	0	178	23	20	173	3
2:15 PM	16	1	25	1	4	3	0	215	26	20	223	1
2:30 PM	22	2	27	5	2	2	0	217	23	24	193	3
2:45 PM	20	2	21	2	2	4	0	224	21	23	218	4
3:00 PM	21	2	21	3	2	4	0	203	25	20	204	4
3:15 PM	22	5	20	1	4	7	0	99	22	27	236	6
3:30 PM	15	9	17	2	3	4	0	108	28	30	200	3
3:45 PM	23	8	18	2	3	3	0	156	29	29	199	4
Peak Half Hour	42	4	48	7	4	6	0	441	44	47	411	7
Peak Hour Equiv.	84	8	96	14	8	12	0	882	88	94	822	14

**Del Obispo Street at Project Driveway
Hot Spot Calculation
School Peak Hour**

	Northbound			Southbound			Eastbound			Westbound		
	Left	Through	Right	Left	Through	Right	Left	Through	Right	Left	Through	Right
1:30 PM	2	217	0	0	237	1	2	0	4	0	0	0
1:45 PM	1	223	0	0	253	2	2	0	4	0	0	0
2:00 PM	1	231	0	0	245	2	3	0	3	0	0	0
2:15 PM	2	244	0	0	300	1	2	0	4	0	0	0
2:30 PM	1	242	0	0	247	2	1	0	4	0	0	0
2:45 PM	1	263	0	0	283	5	1	0	3	0	0	0
3:00 PM	1	194	0	0	277	2	1	0	5	0	0	0
3:15 PM	1	86	0	0	309	3	1	0	4	0	0	0
3:30 PM	1	166	0	0	285	2	0	0	4	0	0	0
3:45 PM	2	222	0	0	287	3	1	0	3	0	0	0
Peak Half Hour	2	505	0	0	530	7	2	0	7	0	0	0
Peak Hour Equiv.	4	1010	0	0	1060	14	4	0	14	0	0	0

APPENDIX N-II

GROWTH CALCULATION WORKSHEETS

Del Obispo Street, between Ortega Highway and Camino Capistrano

(November 2018 vs. November 2021)

<i>Nov-18 School Pk. Hr.</i>	Adj. 2018 Counts to Year 2021 School Pk. Hr.	Nov 2021 School Pk. Hr.	Diff. Btwn Adj. 2021 & Nov 2021 Counts	Percent Decrease from Adj. 2018 Counts	Growth Factor for Nov 2021 to Adj. 2021 Counts
2,064	2,095	1,877	-218	-10.41%	111.61%

VOLUME

Del Obispo St Bet. Ortega Hwy & Camino Capistrano

AVERAGE

Day: Tue - Thu

Date: 11/13 - 11/15/2018

City: San Juan Capistrano

Project #: CA18_1240_006

DAILY TOTALS					NB	SB	EB	WB	Total
					13,202	14,615	0	0	27,817

AM Period	NB	SB	EB	WB	TOTAL	PM Period	NB	SB	EB	WB	TOTAL
00:00	16	19	0	0	35	12:00	243	268	0	0	511
00:15	11	14	0	0	25	12:15	269	242	0	0	511
00:30	8	11	0	0	19	12:30	249	271	0	0	520
00:45	9	44	8	52	17	12:45	239	1000	274	1055	513
01:00	5	10	0	0	15	13:00	239	270	0	0	509
01:15	7	8	0	0	15	13:15	258	253	0	0	511
01:30	4	7	0	0	11	13:30	240	235	0	0	475
01:45	8	24	8	33	16	13:45	233	970	252	1010	485
02:00	6	8	0	0	14	14:00	219	243	0	0	462
02:15	8	5	0	0	13	14:15	240	268	0	0	508
02:30	5	4	0	0	9	14:30	255	271	0	0	526
02:45	4	23	3	20	7	14:45	237	951	256	1038	493
03:00	7	9	0	0	16	15:00	204	309	0	0	513
03:15	6	3	0	0	9	15:15	227	305	0	0	532
03:30	10	7	0	0	17	15:30	188	258	0	0	446
03:45	10	33	11	30	21	15:45	221	840	260	1132	481
04:00	7	11	0	0	18	16:00	232	272	0	0	504
04:15	13	14	0	0	27	16:15	248	269	0	0	517
04:30	23	16	0	0	39	16:30	246	249	0	0	495
04:45	28	71	23	64	51	16:45	236	962	253	1043	489
05:00	38	28	0	0	66	17:00	261	256	0	0	517
05:15	47	41	0	0	88	17:15	214	279	0	0	493
05:30	62	47	0	0	109	17:30	219	272	0	0	491
05:45	82	229	76	192	158	17:45	233	927	287	1094	520
06:00	91	64	0	0	155	18:00	216	245	0	0	461
06:15	106	100	0	0	206	18:15	208	242	0	0	450
06:30	149	122	0	0	271	18:30	195	224	0	0	419
06:45	141	487	183	469	324	18:45	183	802	199	910	382
07:00	174	193	0	0	367	19:00	173	176	0	0	349
07:15	201	240	0	0	441	19:15	148	174	0	0	322
07:30	209	267	0	0	476	19:30	149	150	0	0	299
07:45	257	841	282	982	539	19:45	121	591	146	646	267
08:00	222	240	0	0	462	20:00	127	131	0	0	258
08:15	215	256	0	0	471	20:15	119	116	0	0	235
08:30	213	214	0	0	427	20:30	95	123	0	0	218
08:45	222	872	220	930	442	20:45	104	445	126	496	230
09:00	180	223	0	0	403	21:00	120	101	0	0	221
09:15	190	221	0	0	411	21:15	98	94	0	0	192
09:30	193	207	0	0	400	21:30	81	77	0	0	158
09:45	175	738	227	878	402	21:45	67	366	71	343	138
10:00	189	227	0	0	416	22:00	57	60	0	0	117
10:15	211	244	0	0	455	22:15	42	50	0	0	92
10:30	205	234	0	0	439	22:30	40	46	0	0	86
10:45	212	817	224	929	436	22:45	33	172	39	195	72
11:00	219	235	0	0	454	23:00	23	31	0	0	54
11:15	228	239	0	0	467	23:15	19	29	0	0	48
11:30	236	242	0	0	478	23:30	19	26	0	0	45
11:45	238	921	248	964	486	23:45	15	76	24	110	39
TOTALS	5100	5543			10643	TOTALS	8102	9072			17174
SPLIT %	47.9%	52.1%			38.3%	SPLIT %	47.2%	52.8%			61.7%

DAILY TOTALS					NB	SB	EB	WB	Total
					13,202	14,615	0	0	27,817

AM Peak Hour	11:45	07:30		11:45	PM Peak Hour	12:00	14:30		14:30		
AM Pk Volume	999	1045		2028	PM Pk Volume	1000	1141		2064		
Pk Hr Factor	0.928	0.926		0.975	Pk Hr Factor	0.929	0.923		0.970		
7 - 9 Volume	1713	1912	0	0	3625	4 - 6 Volume	1889	2137	0	0	4026
7 - 9 Peak Hour	07:45	07:30		07:30	4 - 6 Peak Hour	16:15	17:00		17:00		
7 - 9 Pk Volume	907	1045	0	0	1948	4 - 6 Pk Volume	991	1094	0	0	2021
Pk Hr Factor	0.882	0.926	0.000	0.000	0.904	Pk Hr Factor	0.949	0.953	0.000	0.000	0.972

Counts Unlimited, Inc.

City of San Juan Capistrano
 Del Obispo Street
 B/ Ortega Highway - Camino Capistrano
 72 Hour Directional Volume Count

PO Box 1178
 Corona, CA 92878
 Phone: (951) 268-6268
 email: counts@countsunlimited.com

SJO005
 Site Code: 057-21453

Start Time	14-Sep-21 Tue	Eastbound		Hour Totals		Westbound		Hour Totals		Combined Totals	
		Morning	Afternoon	Morning	Afternoon	Morning	Afternoon	Morning	Afternoon	Morning	Afternoon
12:00		11	229			13	225				
12:15		10	248			8	238				
12:30		3	218			9	227				
12:45		3	235	27	930	4	161	34	851	61	1781
01:00		1	196			4	234				
01:15		2	236			5	215				
01:30		1	194			7	202				
01:45		2	211	6	837	6	207	22	858	28	1695
02:00		4	204			2	209				
02:15		5	215			5	217				
02:30		0	251			1	225				
02:45		4	250	13	920	7	270	15	921	28	1841
03:00		4	225			3	253				
03:15		4	85			3	276				
03:30		5	153			7	244				
03:45		5	216	18	679	2	237	15	1010	33	1689
04:00		6	271			6	199				
04:15		14	208			7	234				
04:30		11	209			8	221				
04:45		24	175	55	863	18	181	39	835	94	1698
05:00		28	252			16	162				
05:15		27	231			20	201				
05:30		56	259			45	199				
05:45		65	212	176	954	75	204	156	766	332	1720
06:00		67	205			63	210				
06:15		97	204			86	216				
06:30		101	154			108	236				
06:45		142	172	407	735	173	187	430	849	837	1584
07:00		174	156			174	194				
07:15		183	180			224	158				
07:30		206	141			160	150				
07:45		205	151	768	628	263	137	821	639	1589	1267
08:00		236	141			224	113				
08:15		200	122			238	114				
08:30		165	89			219	96				
08:45		205	68	806	420	233	109	914	432	1720	852
09:00		160	101			191	81				
09:15		158	58			185	75				
09:30		165	38			172	69				
09:45		195	41	678	238	197	56	745	281	1423	519
10:00		179	58			189	54				
10:15		174	34			196	38				
10:30		175	27			197	34				
10:45		191	20	719	139	205	25	787	151	1506	290
11:00		155	23			180	42				
11:15		208	21			212	40				
11:30		225	19			219	15				
11:45		227	9	815	72	213	14	824	111	1639	183
Total		4488	7415	4488	7415	4802	7704	4802	7704	9290	15119
Combined Total		11903		11903		12506		12506		24409	
AM Peak	-	07:30	-	-	-	07:45	-	-	-	-	-
Vol.	-	847	-	-	-	944	-	-	-	-	-
P.H.F.	-	0.897	-	-	-	0.897	-	-	-	-	-
PM Peak	-	-	05:00	-	-	-	02:45	-	-	-	-
Vol.	-	-	954	-	-	-	1043	-	-	-	-
P.H.F.	-	-	0.880	-	-	-	0.945	-	-	-	-
Percentage		37.7%	62.3%			38.4%	61.6%				

Counts Unlimited, Inc.

City of San Juan Capistrano
 Del Obispo Street
 B/ Ortega Highway - Camino Capistrano
 72 Hour Directional Volume Count

PO Box 1178
 Corona, CA 92878
 Phone: (951) 268-6268
 email: counts@countsunlimited.com

SJO005
 Site Code: 057-21453

Start Time	15-Sep-21 Wed	Eastbound		Hour Totals		Westbound		Hour Totals		Combined Totals	
		Morning	Afternoon	Morning	Afternoon	Morning	Afternoon	Morning	Afternoon	Morning	Afternoon
12:00		8	218			7	218				
12:15		2	211			9	205				
12:30		3	210			12	218				
12:45		2	195	15	834	7	211	35	852	50	1686
01:00		7	216			9	202				
01:15		6	215			9	227				
01:30		4	191			7	213				
01:45		3	186	20	808	9	222	34	864	54	1672
02:00		5	197			3	173				
02:15		3	245			4	248				
02:30		1	269			7	224				
02:45		6	238	15	949	2	230	16	875	31	1824
03:00		4	199			5	222				
03:15		7	64			6	291				
03:30		4	98			3	247				
03:45		2	189	17	550	7	219	21	979	38	1529
04:00		6	234			10	179				
04:15		13	206			8	158				
04:30		14	278			3	180				
04:45		15	225	48	943	11	203	32	720	80	1663
05:00		33	268			16	215				
05:15		33	283			24	231				
05:30		51	248			40	197				
05:45		75	231	192	1030	78	164	158	807	350	1837
06:00		77	204			57	176				
06:15		109	210			91	225				
06:30		94	207			131	230				
06:45		134	193	414	814	178	175	457	806	871	1620
07:00		149	167			180	184				
07:15		152	133			224	148				
07:30		161	161			98	162				
07:45		198	126	660	587	273	147	775	641	1435	1228
08:00		232	124			262	120				
08:15		170	121			236	120				
08:30		219	135			205	119				
08:45		198	121	819	501	208	91	911	450	1730	951
09:00		167	84			204	88				
09:15		172	82			169	83				
09:30		165	55			171	73				
09:45		168	51	672	272	213	70	757	314	1429	586
10:00		152	37			174	53				
10:15		191	40			181	54				
10:30		181	19			213	51				
10:45		175	15	699	111	188	29	756	187	1455	298
11:00		194	23			217	25				
11:15		197	14			187	32				
11:30		216	7			210	20				
11:45		202	14	809	58	211	14	825	91	1634	149
Total		4380	7457	4380	7457	4777	7586	4777	7586	9157	15043
Combined Total		11837		11837		12363		12363		24200	
AM Peak	-	07:45	-	-	-	07:45	-	-	-	-	-
Vol.	-	819	-	-	-	976	-	-	-	-	-
P.H.F.	-	0.883	-	-	-	0.894	-	-	-	-	-
PM Peak	-	-	04:30	-	-	-	02:45	-	-	-	-
Vol.	-	-	1054	-	-	-	990	-	-	-	-
P.H.F.	-	-	0.931	-	-	-	0.851	-	-	-	-
Percentage		37.0%	63.0%			38.6%	61.4%				

Counts Unlimited, Inc.

City of San Juan Capistrano
 Del Obispo Street
 B/ Ortega Highway - Camino Capistrano
 72 Hour Directional Volume Count

PO Box 1178
 Corona, CA 92878
 Phone: (951) 268-6268
 email: counts@countsunlimited.com

SJO005
 Site Code: 057-21453

Start Time	16-Sep-21 Thu	Eastbound		Hour Totals		Westbound		Hour Totals		Combined Totals	
		Morning	Afternoon	Morning	Afternoon	Morning	Afternoon	Morning	Afternoon	Morning	Afternoon
12:00		13	235			13	179				
12:15		4	241			15	231				
12:30		8	230			7	211				
12:45		6	195	31	901	1	220	36	841	67	1742
01:00		1	239			8	209				
01:15		9	241			7	221				
01:30		4	206			9	200				
01:45		6	203	20	889	8	208	32	838	52	1727
02:00		2	211			6	209				
02:15		4	215			5	259				
02:30		4	231			4	218				
02:45		5	227	15	884	4	231	19	917	34	1801
03:00		2	231			5	238				
03:15		4	105			7	274				
03:30		5	110			4	235				
03:45		8	120	19	566	4	252	20	999	39	1565
04:00		9	128			4	224				
04:15		14	181			11	227				
04:30		16	213			6	195				
04:45		16	189	55	711	18	193	39	839	94	1550
05:00		33	241			19	214				
05:15		41	214			24	238				
05:30		49	206			38	220				
05:45		74	194	197	855	79	238	160	910	357	1765
06:00		73	195			57	194				
06:15		105	154			93	194				
06:30		91	172			128	232				
06:45		130	186	399	707	158	206	436	826	835	1533
07:00		153	164			175	193				
07:15		173	170			233	171				
07:30		222	127			220	146				
07:45		205	110	753	571	247	132	875	642	1628	1213
08:00		219	127			233	127				
08:15		189	91			230	131				
08:30		188	126			219	95				
08:45		148	117	744	461	226	106	908	459	1652	920
09:00		165	108			207	111				
09:15		171	68			200	73				
09:30		180	48			196	61				
09:45		157	52	673	276	190	72	793	317	1466	593
10:00		168	48			184	45				
10:15		176	37			221	53				
10:30		190	31			191	42				
10:45		216	23	750	139	215	30	811	170	1561	309
11:00		194	21			223	38				
11:15		211	13			189	38				
11:30		238	16			197	20				
11:45		225	10	868	60	244	18	853	114	1721	174
Total		4524	7020	4524	7020	4982	7872	4982	7872	9506	14892
Combined Total		11544		11544		12854		12854		24398	
AM Peak	-	11:00	-	-	-	07:15	-	-	-	-	-
Vol.	-	868	-	-	-	933	-	-	-	-	-
P.H.F.	-	0.912	-	-	-	0.944	-	-	-	-	-
PM Peak	-	-	00:15	-	-	-	03:00	-	-	-	-
Vol.	-	-	905	-	-	-	999	-	-	-	-
P.H.F.	-	-	0.939	-	-	-	0.911	-	-	-	-
Percentage		39.2%	60.8%			38.8%	61.2%				
ADT/AADT		ADT 24,336		AADT 24,336							