

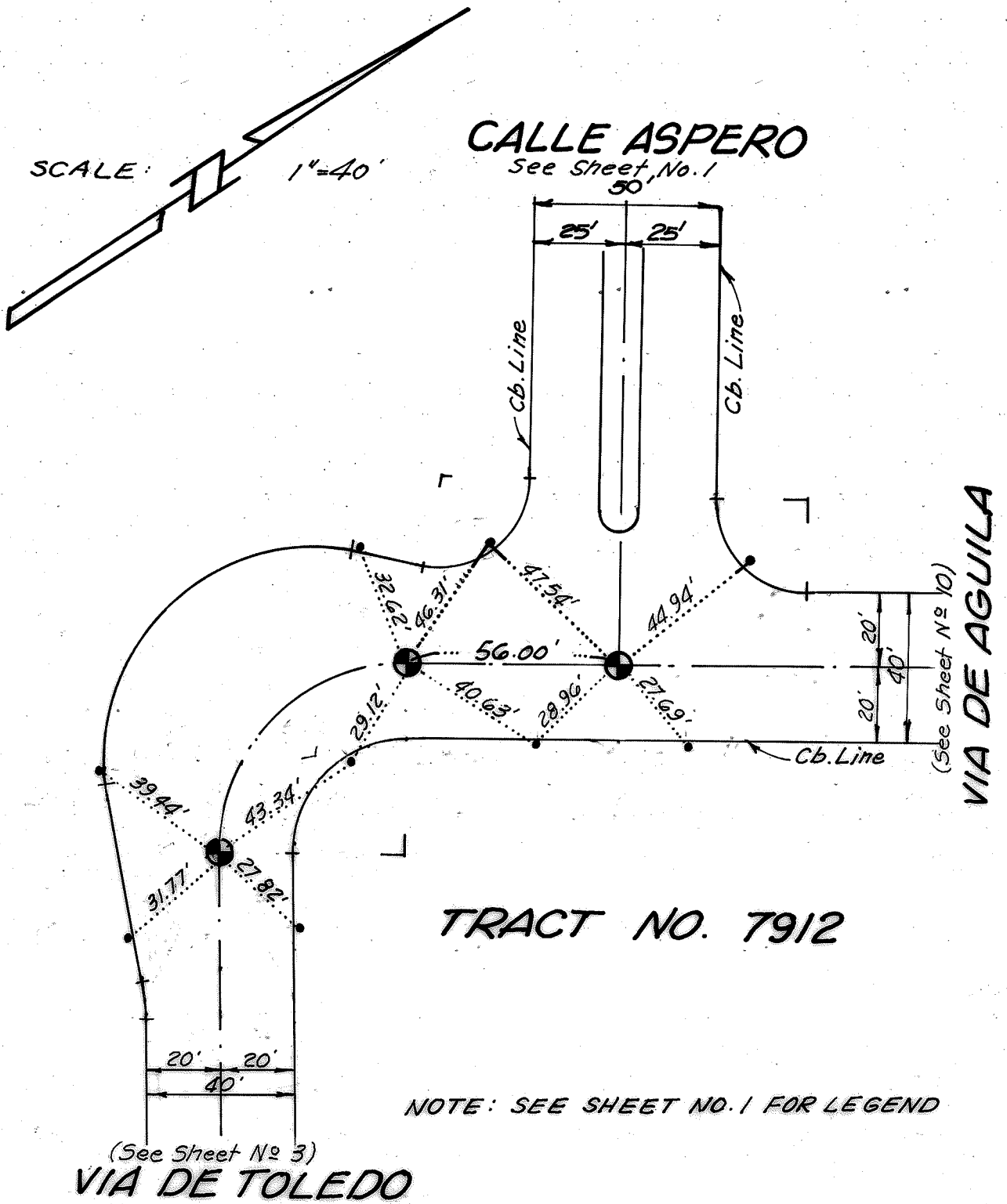
**LEGEND**

- - 2" I.P. w/ tag stamped R.C.E. 20106
- ⊕ - S.&W., stamped R.C.E. 20106
- - L. & T. on curb.

**AEP, INC.**  
 4500 CAMPUS DR. SUITE 300  
 NEWPORT BEACH, CALIF. 92660  
 ROYAL F. WEST RCE 20106

**CENTERLINE  
 TIE NOTES**  
 TIES SET IN MAY 1974

**TRACT  
 NO.  
 7912**



SCALE: 1"=40'

**CALLE ASPERO**  
See Sheet No. 1  
50'

**VIA DE AGUILA**  
(See Sheet No. 10)

**TRACT NO. 7912**

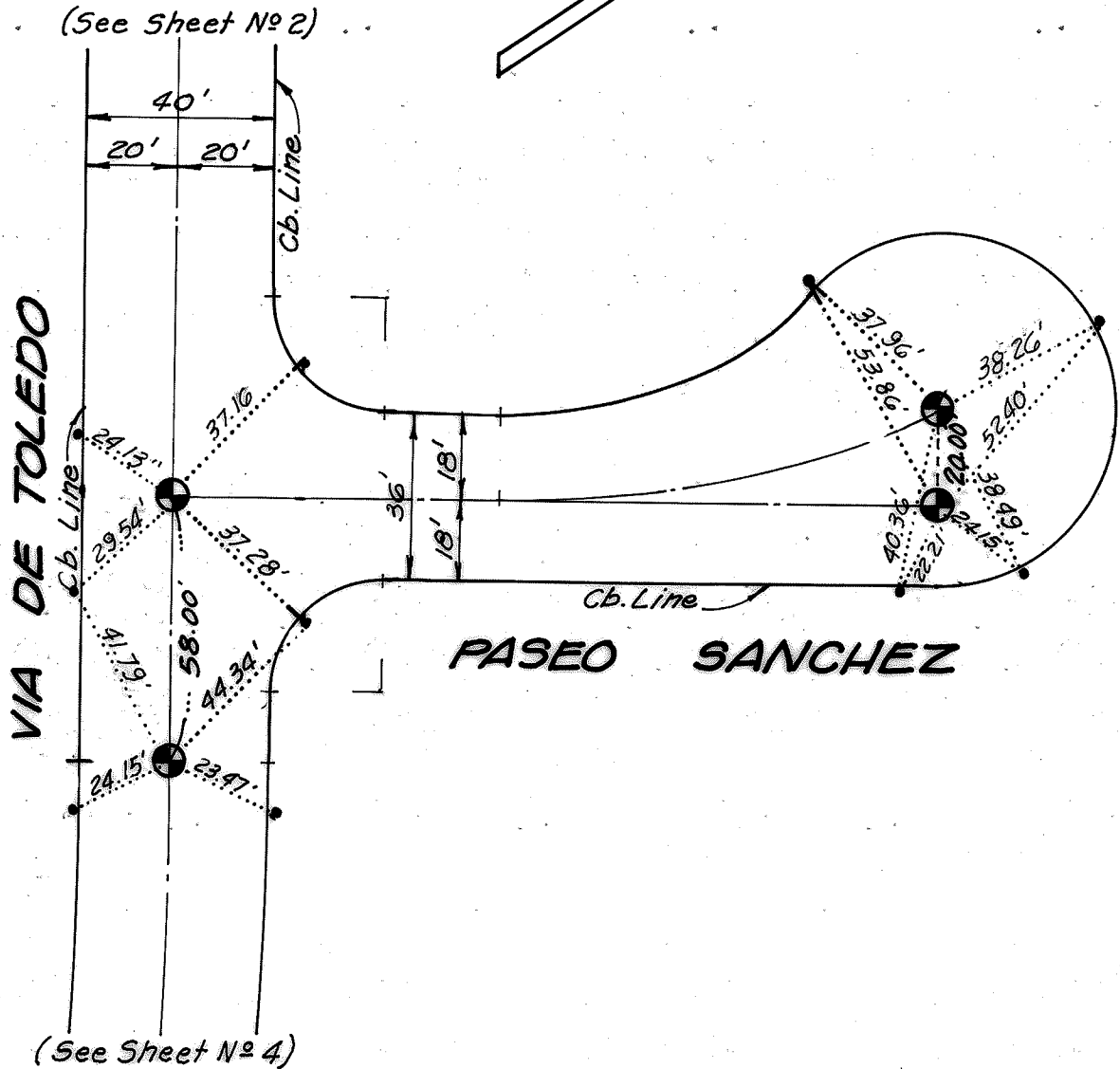
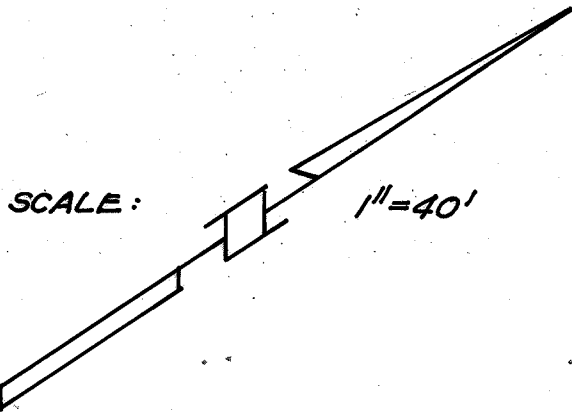
NOTE: SEE SHEET NO. 1 FOR LEGEND

(See Sheet No. 3)  
**VIA DE TOLEDO**

**AEP, INC.**  
 4500 CAMPUS DR. SUITE 300  
 NEWPORT BEACH, CALIF. 92660  
 ROYAL F WEST RCE 20106

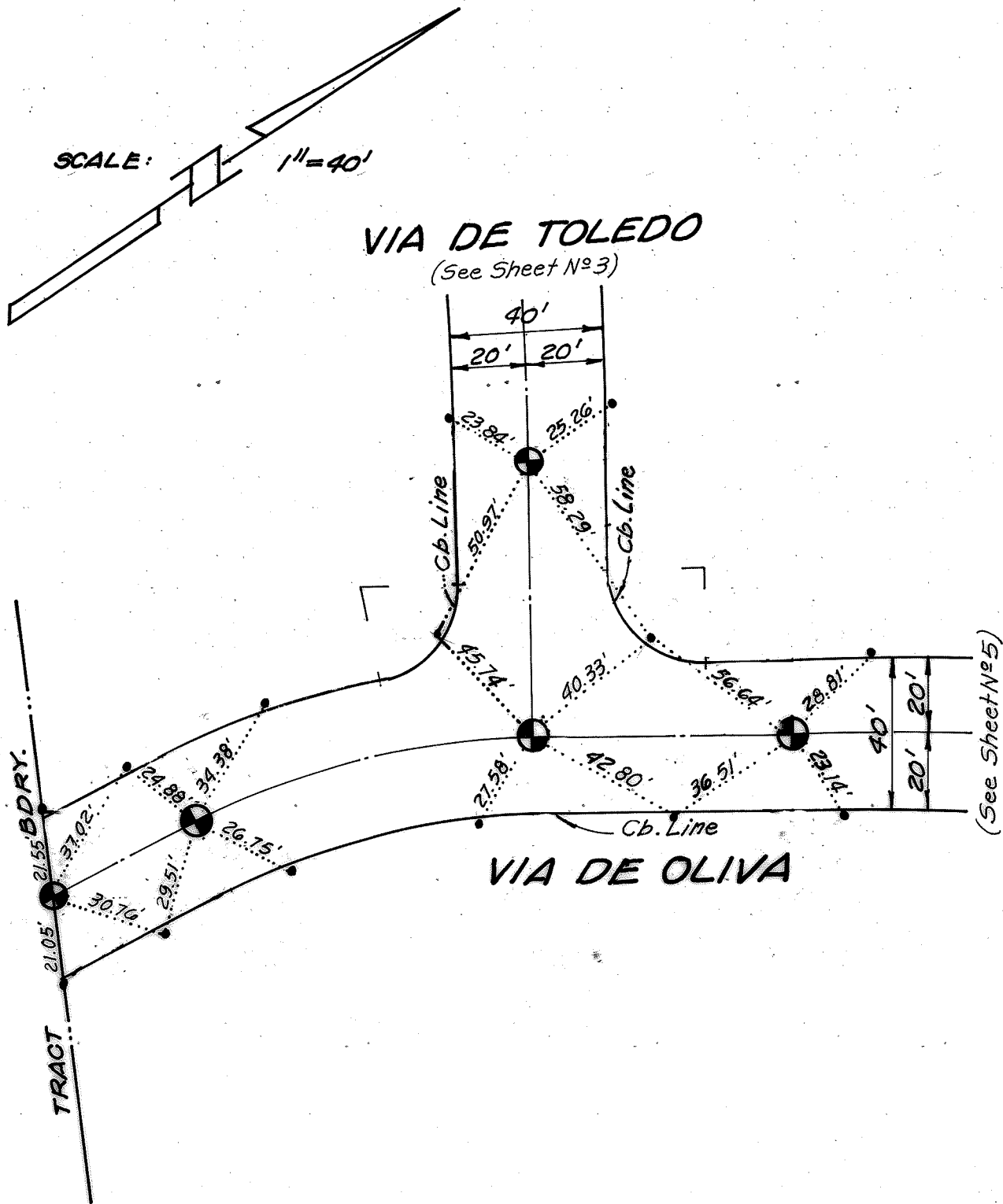
**CENTERLINE  
 TIE NOTES**  
 TIES SET IN MAY 1974

**TRACT  
 NO.  
 7912**



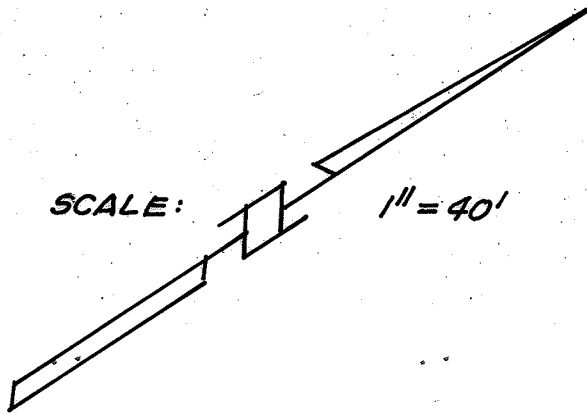
NOTE: SEE SHEET NO. 1 FOR LEGEND

<p><b>AEP, INC.</b>          4500 CAMPUS DR. SUITE 300          NEWPORT BEACH, CALIF. 92660          ROYAL F. WEST RCE 20106</p>	<p><b>CENTERLINE          TIE NOTES</b>          TIES SET IN MAY 1974</p>	<p><b>TRACT          NO.          7912</b></p>
--	---	--

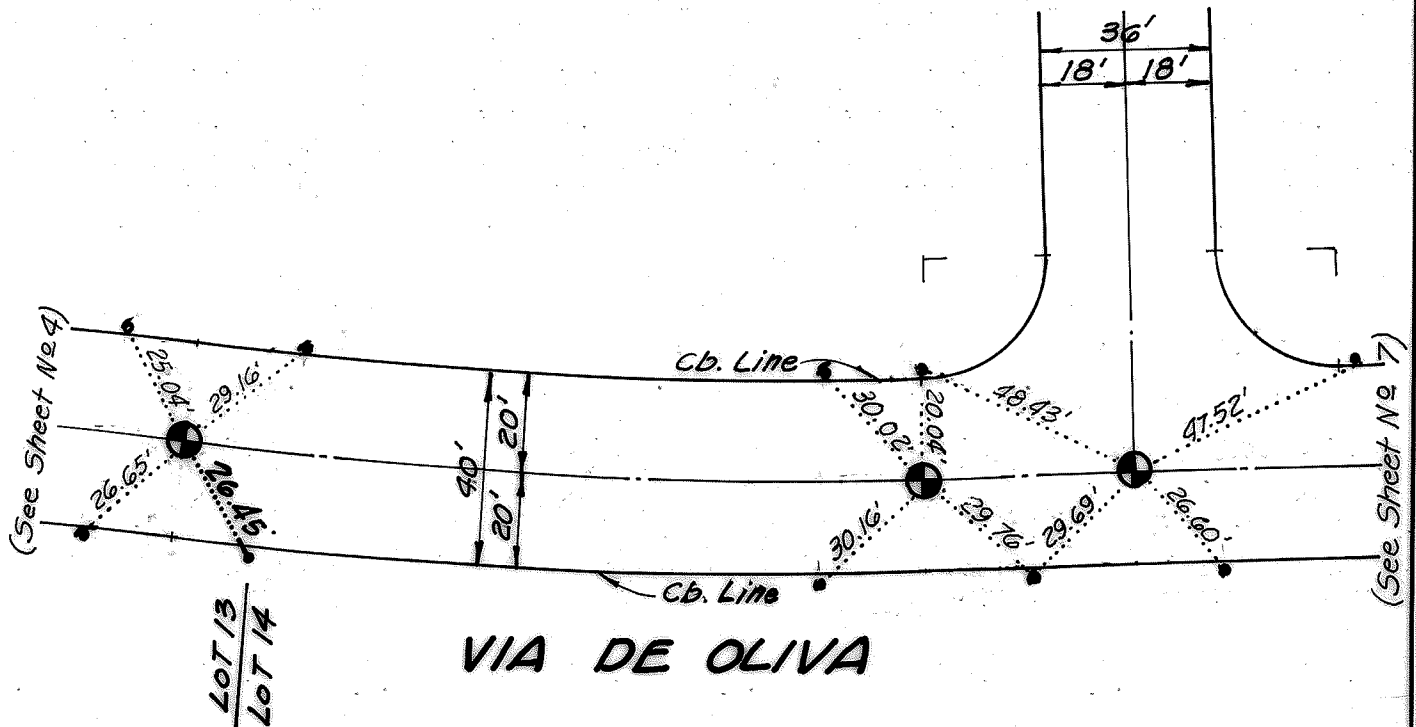


NOTE: SEE SHEET NO. 1 FOR LEGEND

<p><b>AEP, INC.</b>          4500 CAMPUS DR. SUITE 300          NEWPORT BEACH, CALIF. 92660          ROYAL F. WEST RCE 20106</p>	<p><b>CENTERLINE          TIE NOTES</b>          TIES SET IN MAY 1974</p>	<p><b>TRACT          NO.          7912</b></p>
--	---	--



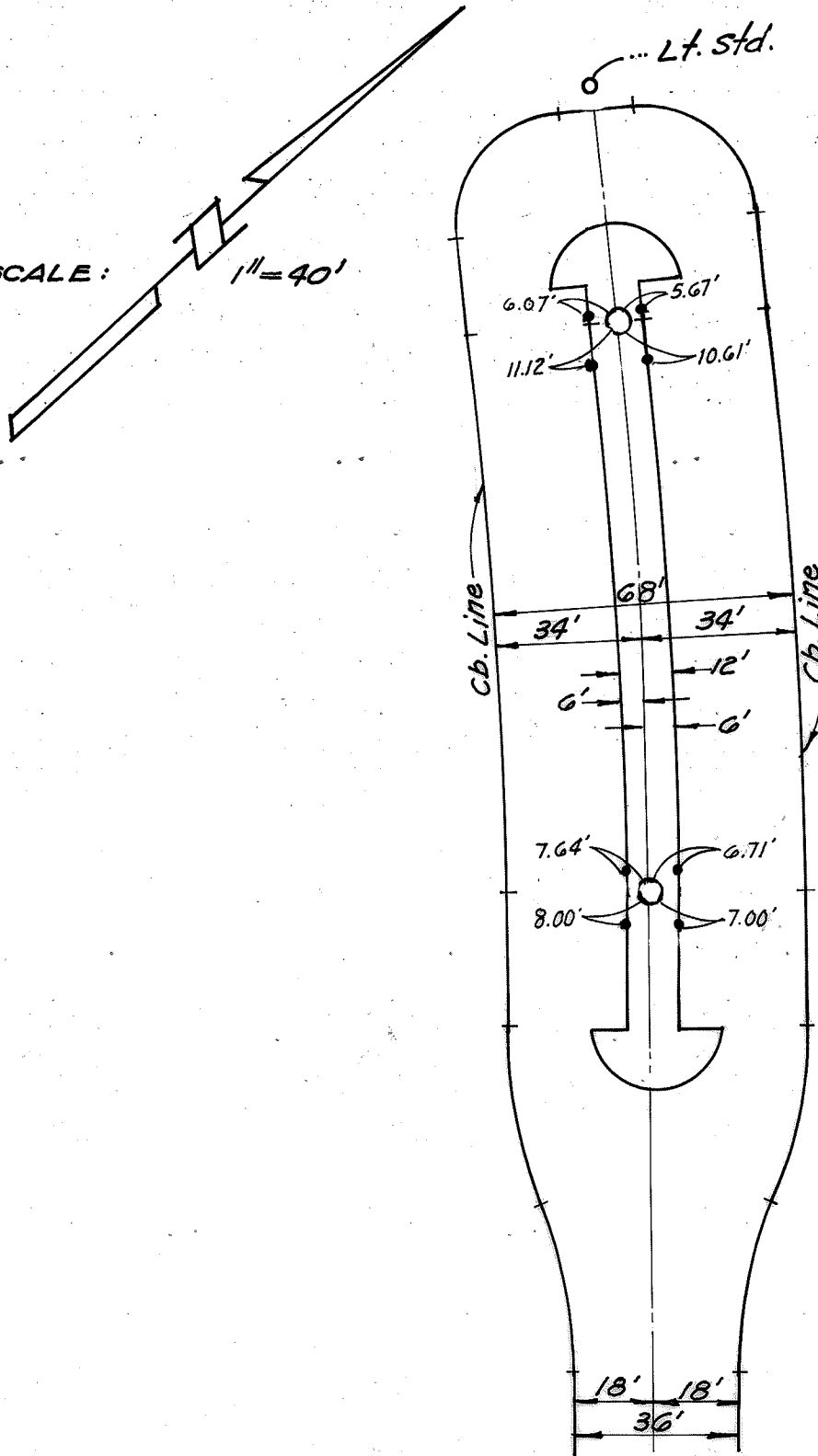
(See Sheet No 6)  
**PASEO MAÑANA**



NOTE: SEE SHEET NO. 1 FOR LEGEND

<p><b>AEP, INC.</b>          4500 CAMPUS DR. SUITE 300          NEWPORT BEACH, CALIF. 92660          ROYAL F. WEST RCE 20106</p>	<p><b>CENTERLINE          TIE NOTES</b>          TIES SET IN MAY 1974</p>	<p><b>TRACT          NO.          7912</b></p>
--	---	--

SCALE: 1" = 40'



NOTE: SEE SHEET NO. 1 FOR LEGEND

**PASEO MAÑANA**  
(See Sheet No 5)

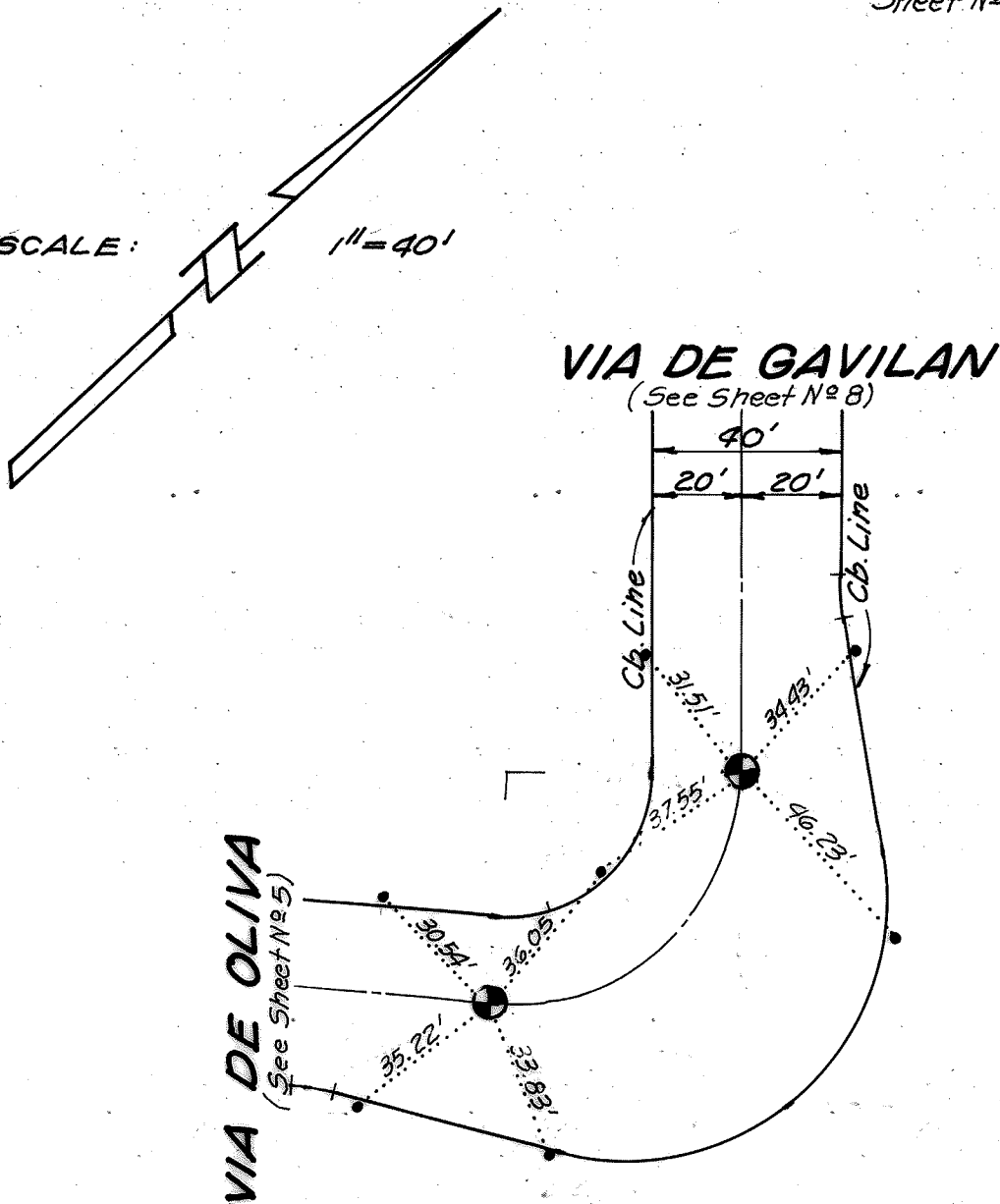
**AEP, INC.**  
 4500 CAMPUS DR. SUITE 300  
 NEWPORT BEACH, CALIF. 92660  
 ROYAL F WEST RCE 20106

**CENTERLINE  
 TIE NOTES**  
 TIES SET IN MAY 1974

**TRACT  
 NO.  
 7912**

SCALE:

1" = 40'



NOTE: SEE SHEET NO. 1 FOR LEGEND

AEP, INC.

4500 CAMPUS DR. SUITE 300  
NEWPORT BEACH, CALIF. 92660  
ROYAL F. WEST RCE 20106

CENTERLINE  
TIE NOTES

TRACT  
NO.  
7912

SCALE:  1" = 40'

(See Sheet No 9)

CURVE DATA:

$\Delta = 6^{\circ}20'00''$   
 $R = 1000.00'$   
 $L = 110.54'$   
 $T = 55.33'$

LOT 43

LOT 24

Common Driveway

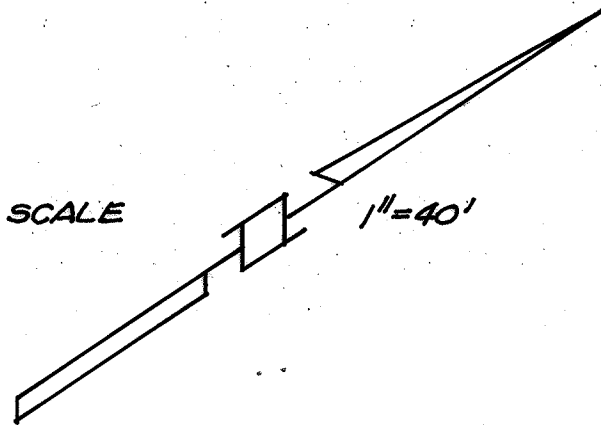
LOT 23

(See Sheet No 7)  
**VIA DE GAVILAN**

NOTE: SEE SHEET NO. 1 FOR LEGEND

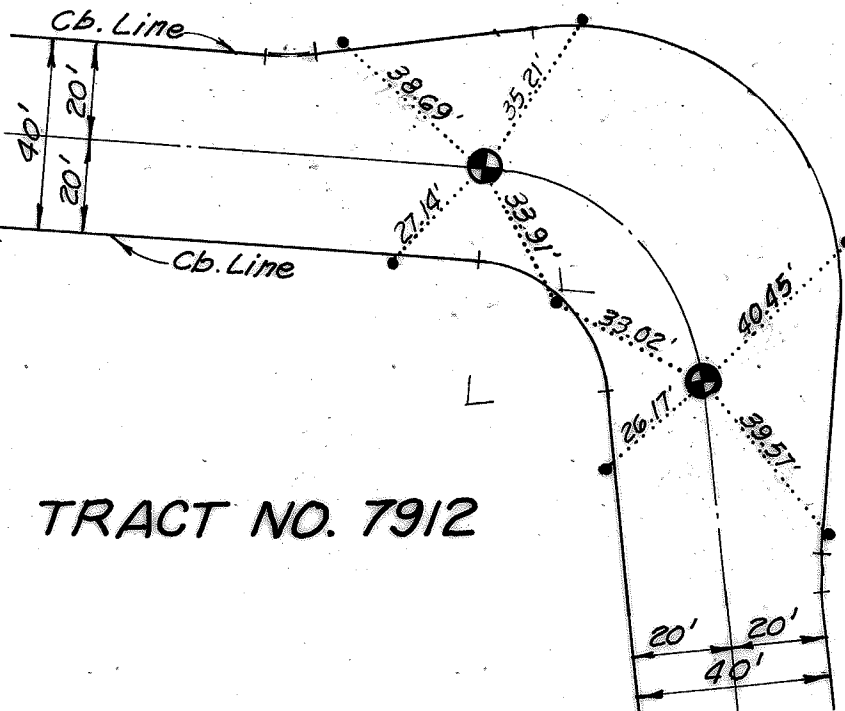
<p><b>AEP, INC.</b>          4500 CAMPUS DR. SUITE 300          NEWPORT BEACH, CALIF. 92660          ROYAL F. WEST RCE 20106</p>	<p><b>CENTERLINE          TIE NOTES</b>          TIES SET IN MAY 1974</p>	<p><b>TRACT          NO.          7912</b></p>
--	---	--





VIA DE AGUILA

(See Sheet No 10)



TRACT NO. 7912

(See Sheet No 8)

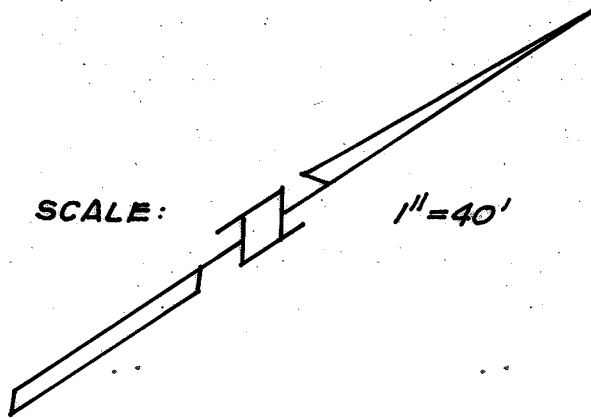
VIA DE GAVILAN

NOTE: SEE SHEET NO 1 FOR LEGEND

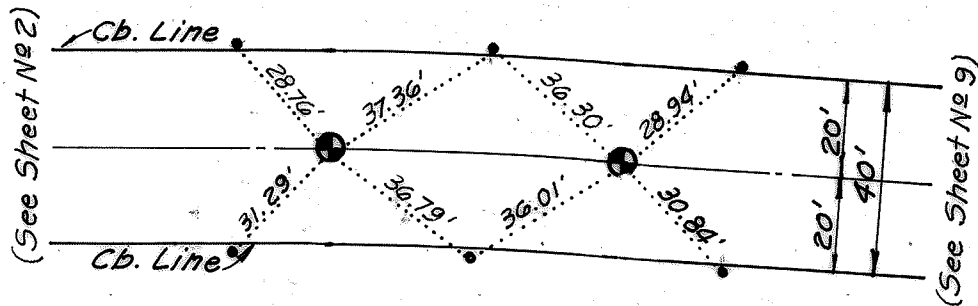
AEP, INC.  
 4500 CAMPUS DR. SUITE 300  
 NEWPORT BEACH, CALIF. 92660  
 ROYAL F. WEST RCE 20/06

CENTERLINE  
 TIE NOTES  
 TIES SET IN MAY 1974

TRACT  
 NO.  
 7912



VIA DE AGUILA



TRACT NO. 7912

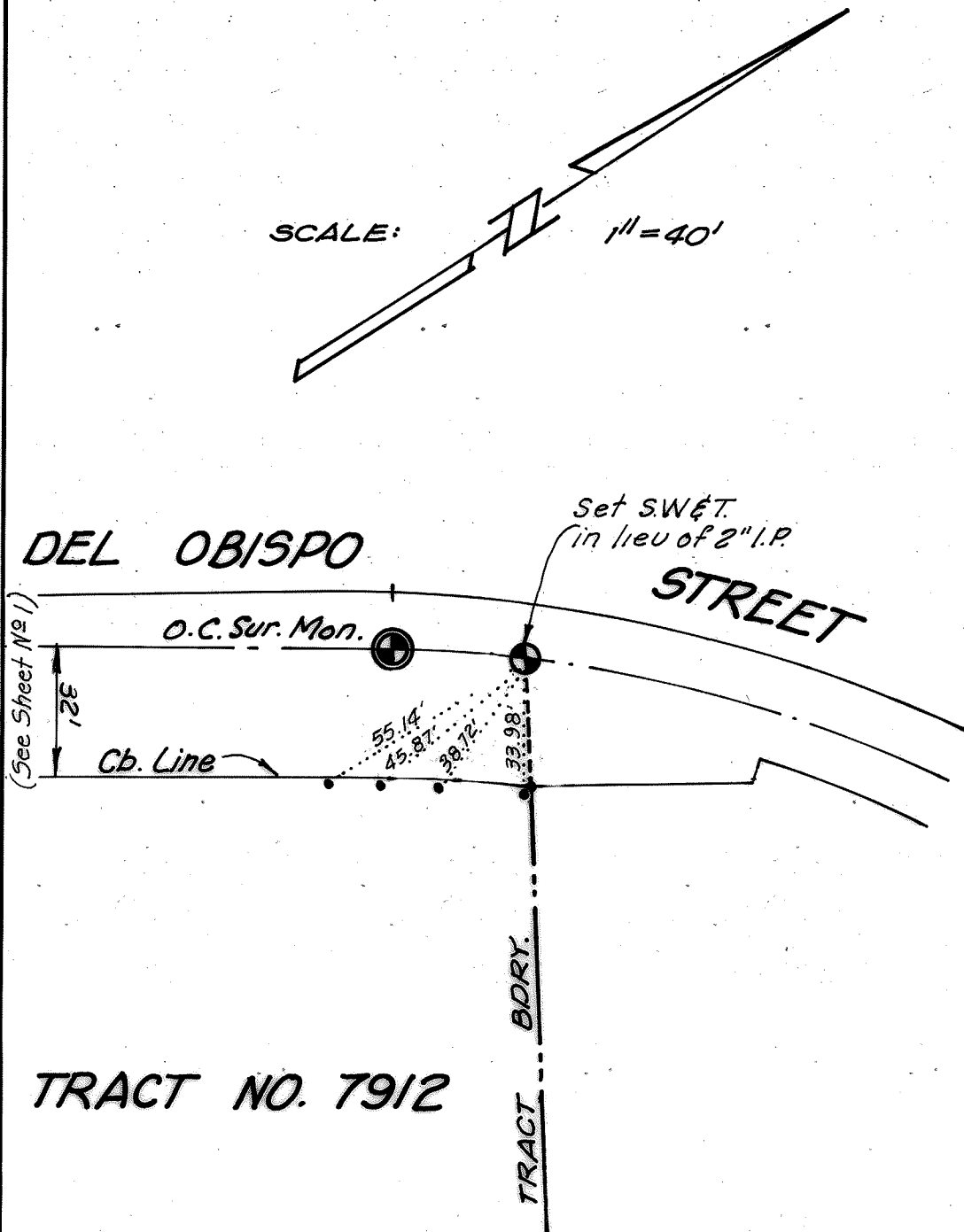
☒ CURVE DATA:  
 $\Delta = 3^{\circ} 30' 00''$   
 $R = 1000.00'$   
 $L = 61.09'$   
 $T = 30.55'$

NOTE: SEE SHEET NO. 1 FOR LEGEND

<p>AEP, INC.          4500 CAMPUS DR. SUITE 300          NEWPORT BEACH, CALIF. 92660          ROYAL F. WEST R.C.E 20106</p>	<p>CENTERLINE          TIE NOTES          TIES SET IN MAY 1974</p>	<p>TRACT          NO.          7912</p>
---	--	---

SCALE:

1" = 40'



TRACT NO. 7912

NOTE: SEE SHEET NO. 1 FOR LEGEND

AEP, INC.

4500 CAMPUS DR. SUITE 300  
NEWPORT BEACH, CALIF. 92660

ROYAL F. WEST R.C.E 20106

CENTERLINE  
TIE NOTES

TIES SET IN MAY 1974

TRACT  
NO.  
7912